



WELCOME TO OUR INTERACTIVE

| PRODUCT GUIDE |
VOL.2 | 2014

Please use the buttons on the right of the page to
navigate your way around this interactive PDF



| PRODUCT GUIDE |
VOL.2 | 2014

CONTENTS

CURVED
RADIATORS

VALVES

ELECTRIC
ELEMENTS

COLOUR CHARTS
AND FINISHES

ACCESSORIES

CONTACT US



VOL.2 | 2014

| PRODUCT GUIDE |

SPECIALISTS IN DESIGNER RADIATORS & TOWEL RAILS





WELCOME TO OUR BROCHURE

With over 25 years experience, The Radiator Factory portfolio comprises some of the most aesthetically pleasing, energy efficient, high output designer radiators.

With products that are made from steel, stainless steel and aluminium we really do combine both functionality and style, ensuring that our radiators will keep even the coolest room warm whilst complementing every interior.

Sourced from some of the world's leading manufacturers, our comprehensive stockholding of over 4000 products ensures immediate delivery.

All radiators are available to view in our showroom.

SPECIALISTS IN DESIGNER RADIATORS & TOWEL RAILS

CONTENTS | 03



PRODUCT GUIDE |
VOL.2 | 2014

CONTENTS

CURVED RADIATORS

VALVES

ELECTRIC ELEMENTS

COLOUR CHARTS AND FINISHES

ACCESSORIES

CONTACT US

General Purpose Radiator	High Output Radiators	Towel Radiators	Dual Fuel Radiators	Electric Only Radiators	Low Level Radiators	Column Radiators	Aluminium ECO Radiators	Cast Iron Radiators	Stainless Steel Radiators	Steel Radiators	Accessories	Page
--------------------------	-----------------------	-----------------	---------------------	-------------------------	---------------------	------------------	-------------------------	---------------------	---------------------------	-----------------	-------------	------

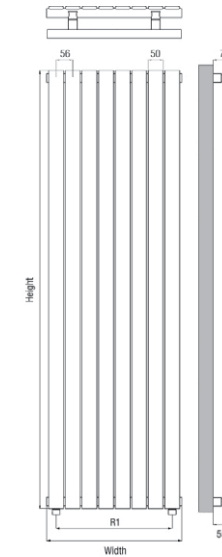
ADONIS	•											04
ALU-ZEN	•	•	•				•					06
AQUARIUS H+V	•	•						•				08
ARC H+V	•	•						•				12
ATLANTIS H+V	•	•	•	•				•				16
AZTEK	•	•			•			•				20
BELVOIR	•	•				•		•				22
BRYCE	•	•	•				•				•	24
CANYON	•	•	•				•				•	26
CARRE QUARTER+HALF	•	•	•					•			•	28
CARRE PLAN	•	•	•					•			•	30
CHATSWORTH 4+6	•	•			•	•		•				32
CRU-BATH	•	•	•			•				•		34
CRU-SLALOM	•	•				•				•		36
CRU-TWIST	•	•				•				•		38
CRU-2	•	•				•				•		40
CRU-3	•	•				•				•		42
ESCADA	•		•	•	•			•				44
LORA	•		•	•	•			•				46
NIVA	•		•	•	•			•	•	•		48
OBLO	•		•	•	•			•				50
ONICE ELECTRON	•	•			•		•					52
OVALI H+V	•	•							•			54
PRIMULA P2	•	•			•				•			58
QUADRADO	•	•	•	•	•			•				60
RINGS	•	•	•	•	•			•				62
RUBINO MINI+MIDI+MAXI	•	•			•		•					64
SERRA	•		•	•	•			•				68
THURRO 2	•		•	•	•			•				70
THURRO 3	•		•	•	•			•				72
TWIRL	•	•						•				74
X-TUBE	•	•					•					76
ZARDS MIDI+MAXI	•	•	•				•			•		78
ROUND TOP CURVED	•	•							•			80
CRU-CURVED	•	•				•			•			81
VALVES												82-86
ELECTRIC ELEMENTS												87-89
COLOUR CHARTS & FINISHES												90-99
ACCESSORIES												100-101

= High Output Radiators
 = Aluminium ECO Radiators
 Delivery Times = Working Days





Appropriately named after the Greek god of beauty & desire, the tall, slim Adonis exhibits a powerfully elegant presence. In high quality steel guaranteed for 10 years of dependable service, the Adonis comes in white and alternative finishes that will complement any colour scheme. An optional towel rail and robe hook adds functionality to this striking radiator, which also offers the flexible choice of 4, 5, 6 or 8 stylishly flat tubes.



Model	Height (H) (mm)	Width (L) (mm)	Heat Output Δt 50°C		Heat Output Δt 60°C		Fuel – Central Heating Electric Dual Fuel	No. Of Tubes	Wall To Front Face (mm)	Pipe Centres (R1) (mm)	Wall To Pipe Centres (mm)	White (Ex VAT)	Colour (Ex VAT)
			Watts	BTUs	Watts	BTUs							
AD 18-23	1820	232	440	1501	555	1894	CH	4	78	168	55	245	305
AD 18-28	1820	288	550	1877	693	2365	CH	5	78	224	55	285	365
AD 18-34	1820	344	659	2249	830	2832	CH	6	78	280	55	285	365
AD 18-45	1820	456	879	2999	1108	3781	CH	8	78	392	55	295	375

Materials: Steel Guarantee: 10 Years
 Stock Finishes (Page 90): White Non-Stock Finishes (Pages 92-93)

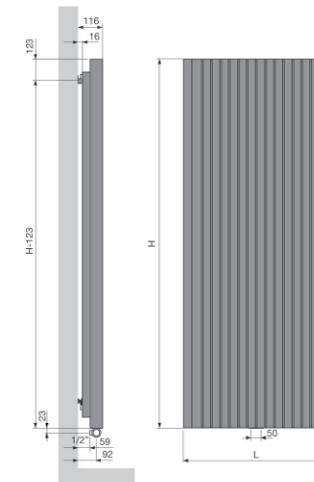
- CONTENTS
- CURVED RADIATORS
- VALVES
- ELECTRIC ELEMENTS
- COLOUR CHARTS AND FINISHES
- ACCESSORIES
- CONTACT US





- CONTENTS
- CURVED RADIATORS
- VALVES
- ELECTRIC ELEMENTS
- COLOUR CHARTS AND FINISHES
- ACCESSORIES
- CONTACT US

Form & function combine in blissful harmony with the Alu-Zen, whose distinctive, softly rounded edges are inspired by Eastern minimalism, plus a determination to bring you everyday practicality. The high-output, general purpose Alu-Zen in eco-friendly aluminium is literally guaranteed to still be giving you a warm feeling a decade after it becomes yours. All this in white or adventurous alternative finishes, a choice of three widths and an optional towel rail.



KEY: * When using an Angled Central Valve
** When using a Straight Central Valve

Model	Height (H) (mm)	Width (L) (mm)	Heat Output Δt 50°C		Heat Output Δt 60°C		Fuel – Central Heating Electric Dual Fuel	No. Of Tubes	Wall To Front Face (mm)	Pipe Centres (R1) (mm)	Wall To Pipe Centres (mm)	White (Ex VAT)	Colour (Ex VAT)
			Watts	BTUs	Watts	BTUs							
AZ 18-37	1800	375	1319	4500	1662	5671	CH	--	116	50	59*+ 92**	720	828
AZ 18-45	1800	450	1596	5445	2011	6861	CH	--	116	50	59*+ 92**	840	966
AZ 18-52	1800	525	1874	6394	2361	8056	CH	--	116	50	59*+ 92**	960	1104

Materials: Aluminium Guarantee: 10 Years High Output Radiator
Stock Finishes (Page 90): S600 | M300 | M302 Non-Stock Finishes (Pages 94-95)
Accessories: Optional Towel Rail





CONTENTS

CURVED RADIATORS

VALVES

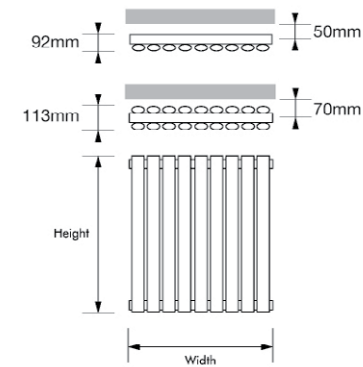
ELECTRIC ELEMENTS

COLOUR CHARTS AND FINISHES

ACCESSORIES

CONTACT US

Gleaming on your wall like a supernova in the constellation that inspires its name, the Aquarius Horizontal marks the dawning of a luminous new age in radiator design. The stellar performance of this stainless steel, high output radiator comes in a choice of either one or two rows of distinctive, oval tubes, with smooth, polished tops. Available in a choice of five widths, the Aquarius H is finished in polished stainless steel and guaranteed for ten brightly shining years.



Model	Height (H) (mm)	Width (L) (mm)	Heat Output Δt 50°C		Heat Output Δt 60°C		Fuel – Central Heating Electric Dual Fuel	No. Of Tubes	Wall To Front Face (mm)	Pipe Centres (R1) (mm)	Wall To Pipe Centres (mm)	Polished Stainless Steel (Ex VAT)
			Watts	BTUs	Watts	BTUs						
AQUARIUS H SINGLE												
AQS 60-57	600	570	440	1501	554	1890	CH	9	92	L+VALVES	50	369
AQS 60-80	600	800	636	2170	801	2733	CH	13	92	L+VALVES	50	429
AQS 60-10	600	1000	832	2839	1048	3576	CH	16	92	L+VALVES	50	460
AQS 60-12	600	1200	929	3170	1171	3995	CH	19	92	L+VALVES	50	478
AQS 60-15	600	1500	1174	4006	1479	5046	CH	24	92	L+VALVES	50	590
AQUARIUS H DOUBLE												
AQD 60-57	600	570	760	2593	958	3269	CH	18	113	L+VALVES	70	611
AQD 60-80	600	800	1013	3456	1276	4354	CH	26	113	L+VALVES	70	760
AQD 60-10	600	1000	1435	4896	1808	6169	CH	32	113	L+VALVES	70	860
AQD 60-12	600	1200	1597	5449	2012	6865	CH	38	113	L+VALVES	70	926
AQD 60-15	600	1500	2027	6916	2554	8714	CH	48	113	L+VALVES	70	1175

Materials: Stainless Steel Guarantee: 10 Years High Output Radiator
Stock Finishes: Polished Stainless Steel

E-mail: sales@radiatorfactory.net – Tel: 0116 260 9257 – www.radiatorfactory.net





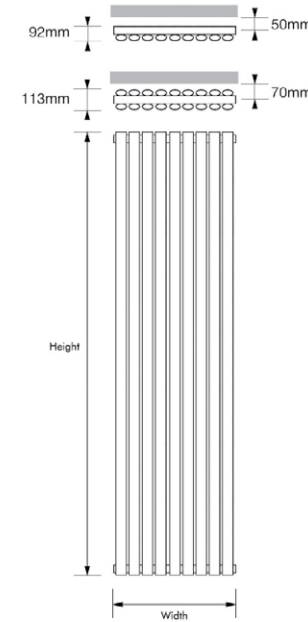
AQUARIUS V | 11

22-3



- CONTENTS
- CURVED RADIATORS
- VALVES
- ELECTRIC ELEMENTS
- COLOUR CHARTS AND FINISHES
- ACCESSORIES
- CONTACT US

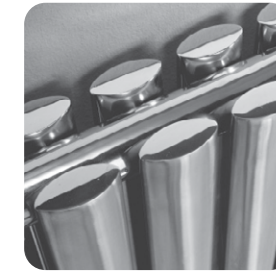
Astrologers tell us that individuals born under the legendary sign of Aquarius are original, inventive and extremely smart, which is a highly appropriate summation of the characteristics of the Aquarius Vertical. Tall, slim and literally brilliant, this brightly shining, stainless steel, high output radiator offers the options of one or two rows of elegantly elliptical tubes with smooth, polished tops and three widths. Available for central heating, the Aquarius V is finished in polished stainless steel and guaranteed for 10 years.



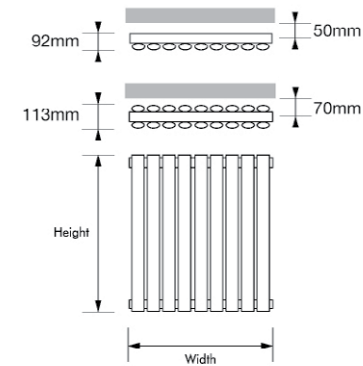
Model	Height (H) (mm)	Width (L) (mm)	Heat Output Δt 50°C		Heat Output Δt 60°C		Fuel – Central Heating Electric Dual Fuel	No. Of Tubes	Wall To Front Face (mm)	Pipe Centres (R1) (mm)	Wall To Pipe Centres (mm)	Polished Stainless Steel (Ex VAT)
			Watts	BTUs	Watts	BTUs						
AQUARIUS V SINGLE												
AQS 18-25	1800	250	540	1842	680	2320	CH	4	92	L+VALVES	50	475
AQS 18-31	1800	310	674	2300	849	2897	CH	5	92	L+VALVES	50	573
AQS 18-45	1800	450	939	3204	1183	4036	CH	7	92	L+VALVES	50	758
AQUARIUS V DOUBLE												
AQD 18-25	1800	250	1052	3589	1326	4524	CH	8	113	L+VALVES	70	928
AQD 18-31	1800	310	1316	4490	1658	5657	CH	10	113	L+VALVES	70	847
AQD 18-45	1800	450	1830	6244	2306	7868	CH	14	113	L+VALVES	70	1815

Materials: Stainless Steel Guarantee: 10 Years High Output Radiator
Stock Finishes: Polished Stainless Steel





The shimmering, brushed stainless steel Arc Horizontal bears more than a passing resemblance to its two cousins in the altogether shinier Aquarius family. Single or double rows of ovoid tubes with smooth, polished tops combine to form a high output radiator that beautifully balances enchanting visual appeal with practical performance. Select from five widths, and as you feast your eyes on the wisdom of your choice, be reassured by the 10 year guarantee.



Model	Height (H) (mm)	Width (L) (mm)	Heat Output Δt 50°C		Heat Output Δt 60°C		Fuel – Central Heating Electric Dual Fuel	No. Of Tubes	Wall To Front Face (mm)	Pipe Centres (R1) (mm)	Wall To Pipe Centres (mm)	Brushed Stainless (Ex VAT)
			Watts	BTUs	Watts	BTUs						
ARC H SINGLE												
ARCS 60-57	600	570	440	1501	554	1890	CH	9	92	L+VALVES	50	314
ARCS 60-80	600	800	636	2170	801	2733	CH	13	92	L+VALVES	50	365
ARCS 60-10	600	1000	832	2839	1048	3576	CH	16	92	L+VALVES	50	392
ARCS 60-12	600	1200	929	3170	1171	3995	CH	19	92	L+VALVES	50	407
ARCS 60-15	600	1500	1174	4006	1479	5046	CH	24	92	L+VALVES	50	502
ARC H DOUBLE												
ARCD 60-57	600	570	760	2593	958	3269	CH	18	113	L+VALVES	70	520
ARCD 60-80	600	800	1013	3456	1276	4354	CH	26	113	L+VALVES	70	698
ARCD 60-10	600	1000	1435	4896	1808	6169	CH	32	113	L+VALVES	70	733
ARCD 60-12	600	1200	1597	5449	2012	6865	CH	38	113	L+VALVES	70	789
ARCD 60-15	600	1500	2027	6916	2554	8714	CH	48	113	L+VALVES	70	1001

Materials: Stainless Steel Guarantee: 10 Years High Output Radiator
Stock Finishes: Brushed Stainless Steel With Polished Tops

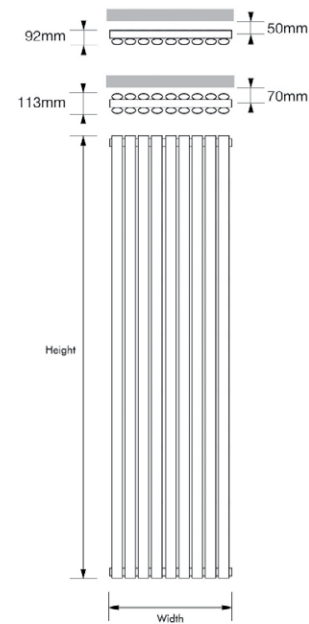
E-mail: sales@radiatorfactory.net – Tel: 0116 260 9257 – www.radiatorfactory.net

- CONTENTS
- CURVED RADIATORS
- VALVES
- ELECTRIC ELEMENTS
- COLOUR CHARTS AND FINISHES
- ACCESSORIES
- CONTACT US



- CONTENTS
- CURVED RADIATORS
- VALVES
- ELECTRIC ELEMENTS
- COLOUR CHARTS AND FINISHES
- ACCESSORIES
- CONTACT US

The Arc Vertical literally goes to considerable lengths to grace a taller space with its softly glowing, brushed stainless steel presence. Echoing the configuration of its glossier cousin the Aquarius V, this high output radiator offers a choice of either one or two rows of oval shaped tubes and four widths, all with pleasingly smooth, polished tops. Suitable for central heating, the Arc V also delivers the additional warmth of a 10 year guarantee.



Model	Height (H) (mm)	Width (L) (mm)	Heat Output Δt 50°C		Heat Output Δt 60°C		Fuel – Central Heating Electric Dual Fuel	No. Of Tubes	Wall To Front Face (mm)	Pipe Centres (R1) (mm)	Wall To Pipe Centres (mm)	Brushed Stainless (Ex VAT)
			Watts	BTUs	Watts	BTUs						
ARC V SINGLE												
ARCS 18-25	1800	250	540	1842	680	2320	CH	4	92	L+VALVES	50	404
ARCS 18-31	1800	310	674	2300	849	2897	CH	5	92	L+VALVES	50	488
ARCS 18-45	1800	450	939	3204	1183	4036	CH	7	92	L+VALVES	50	646
ARCS 18-56	1800	560	1214	4142	1530	5220	CH	9	92	L+VALVES	50	811
ARC V DOUBLE												
ARCD 18-25	1800	250	1052	3589	1326	4524	CH	8	113	L+VALVES	70	791
ARCD 18-31	1800	310	1316	4490	1658	5657	CH	10	113	L+VALVES	70	977
ARCD 18-45	1800	450	1830	6244	2306	7868	CH	14	113	L+VALVES	70	1547
ARCD 18-56	1800	560	2366	8073	2987	10171	CH	18	113	L+VALVES	70	1706

Materials: Stainless Steel Guarantee: 10 Years High Output Radiator
 Stock Finishes: Brushed Stainless Steel With Polished Tops



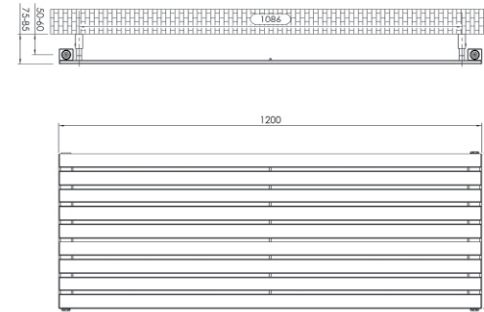
ATLANTIS H | 17



PRODUCT GUIDE |
VOL.2 | 2014

- CONTENTS
- CURVED RADIATORS
- VALVES
- ELECTRIC ELEMENTS
- COLOUR CHARTS AND FINISHES
- ACCESSORIES
- CONTACT US

As sophisticated as you'd expect of a radiator named after the legendary ancient lost city, the Atlantis can be configured in either of two heights and five widths, with 9 or 12 slender tubes. Mount your Atlantis horizontally, as featured here, or vertically, to suit your taste and space. Guaranteed for 25 years, the high output Atlantis is available in all three fuel options, beautifully finished in polished or brushed stainless steel.



KEY: * When mounted horizontally

Model	Height (H) (mm)	Width (L) (mm)	Heat Output Δt 50°C		Heat Output Δt 60°C		Fuel – Central Heating Electric Dual Fuel	No. Of Tubes	Wall To Front Face (mm)	Pipe Centres (R1) (mm)	Wall To Pipe Centres (mm)	Brushed Stainless (Ex VAT)	Polished Stainless (Ex VAT)
			Watts	BTUs	Watts	BTUs							
ATLANTIS H													
AT 59-60	590	600	559	1907	704	2402	CH/E/DF	12	75	560*	50-60	415	519
AT 59-80	590	800	745	2542	939	3203	CH/E/DF	12	75	760*	50-60	503	629
AT 59-10	590	1000	931	3177	1173	4002	CH/E/DF	12	75	960*	50-60	611	764
AT 59-12	590	1200	1117	3811	1407	4802	CH/E/DF	12	75	1160*	50-60	745	831
AT 59-14	590	1400	1303	4446	1642	5602	CH/E/DF	12	75	1360*	50-60	843	1054
ATLANTIS V													
AT 44-60	440	600	419	1430	528	1801	CH/E/DF	9	75	560*	50-60	277	346
AT 44-80	440	800	559	1907	704	2403	CH/E/DF	9	75	760*	50-60	362	753
AT 44-10	440	1000	698	2382	879	3001	CH/E/DF	9	75	960*	50-60	452	565
AT 44-12	440	1200	838	2859	1056	3603	CH/E/DF	9	75	1160*	50-60	548	685
AT 44-14	440	1400	977	3334	1231	4200	CH/E/DF	9	75	1360*	50-60	615	769

Materials: Stainless Steel Guarantee: 25 Years High Output Radiator
Stock Finishes: Brushed & Polished Stainless Steel

E-mail: sales@radiatorfactory.net – Tel: 0116 260 9257 – www.radiatorfactory.net





CONTENTS

CURVED RADIATORS

VALVES

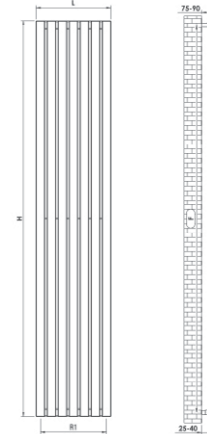
ELECTRIC ELEMENTS

COLOUR CHARTS AND FINISHES

ACCESSORIES

CONTACT US

Like a towering pillar from the lost city that inspired its name, Atlantis rises majestically to greet its admirer's gaze with slender, imposing tubes. Guaranteed for 25 reassuring years, the high output Atlantis is available in various heating options and offered in either a vertical version, as shown here, or horizontal, as featured on the previous page. Choose from five widths with 5, 7, 10, 12 or 15 tubes and either polished or brushed stainless steel finishes.

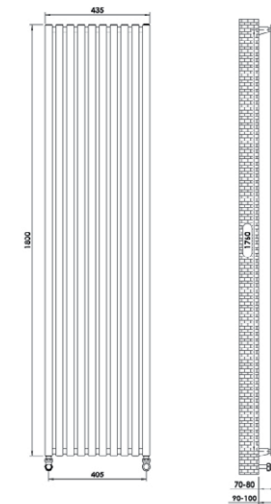


Model	Height (H) (mm)	Width (L) (mm)	Heat Output Δt 50°C		Heat Output Δt 60°C		Fuel – Central Heating Electric Dual Fuel	No. Of Tubes	Wall To Front Face (mm)	Pipe Centres (R1) (mm)	Wall To Pipe Centres (mm)	Brushed Stainless (Ex VAT)	Polished Stainless (Ex VAT)
			Watts	BTUs	Watts	BTUs							
ATLANTIS V													
AT 15-24	1500	240	582	1985	737	2516	CH	5	75-90	200	25-40	456	547
AT 15-34	1500	340	815	2779	1033	3523	CH	7	75-90	300	25-40	588	705
AT 15-49	1500	490	1164	3969	1475	5032	CH	10	75-90	450	25-40	783	939
AT 15-74	1500	740	1746	5954	2213	7549	CH	15	75-90	700	25-40	1106	1328
AT 18-24	1800	240	698	2380	885	3017	CH	5	75-90	200	25-40	508	609
AT 18-34	1800	340	977	3332	1238	4224	CH	7	75-90	300	25-40	658	790
AT 18-49	1800	490	1396	4760	1770	6035	CH	10	75-90	450	25-40	901	1081
AT 18-59	1800	590	1675	5712	2123	7242	CH	12	75-90	550	25-40	1118	1342

Materials: Stainless Steel Guarantee: 25 Years High Output Radiator
Stock Finishes: Brushed & Polished Stainless Steel

- CONTENTS
- CURVED RADIATORS
- VALVES
- ELECTRIC ELEMENTS
- COLOUR CHARTS AND FINISHES
- ACCESSORIES
- CONTACT US

The Aztecs of central Mexico created distinctive architectural and artistic styles and our Aztek high output, general purpose radiators pay tribute to this aesthetic tradition. This design is a clever combination of long, chunky, rectangular tubes joined stylishly together by more slender, round tubes. Creating a commanding visual statement in any room, the Aztek is available in all two fuel options, finished in shimmering brushed or gleaming polished stainless steel.



Model	Height (H) (mm)	Width (L) (mm)	Heat Output Δt 50°C		Heat Output Δt 60°C		Fuel – Central Heating Electric Dual Fuel	No. Of Tubes	Wall To Front Face (mm)	Pipe Centres (R1) (mm)	Wall To Pipe Centres (mm)	Brushed Stainless (Ex VAT)	Polished Stainless (Ex VAT)
			Watts	BTUs	Watts	BTUs							
AZTEC													
AZ 18-25	1800	255	942	3214	1187	4050	CH/E	6	ADJ 90-100	225	70-80	829	1036
AZ 18-34	1800	345	1256	4285	1583	5400	CH/E	8	ADJ 90-100	315	70-80	1056	1320
AZ 18-43	1800	435	1570	5357	1978	6750	CH/E	10	ADJ 90-100	405	70-80	1281	1601
AZ 18-52	1800	525	1884	6428	2373	8097	CH/E	12	ADJ 90-100	495	70-80	1507	1884

Materials: Stainless Steel Guarantee: 25 Years High Output Radiator

Stock Finishes: Brushed & Polished Stainless Steel

(The polished areas are on the outside areas of the radiator – the brushed areas are on the inside of the tubes and on the reverse of the radiator)

E-mail: sales@radiatorfactory.net – Tel: 0116 260 9257 – www.radiatorfactory.net

* Radiator shown without valves



CONTENTS

CURVED
RADIATORS

VALVES

ELECTRIC
ELEMENTSCOLOUR CHARTS
AND FINISHES

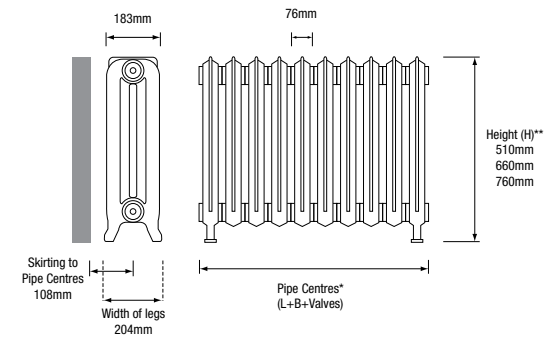
ACCESSORIES

CONTACT US

Belvoir is French for beautiful view, which is why Belvoir Castle - the grand Leicestershire country home - was so named. Our designers have taken inspiration from both the word and the castle to produce a beautiful radiator that harks back to the glory days of the English country house. The ornate exterior means you can heat a room with a radiator that adds both warmth and beauty to your home.

How To Order:

- 1) Choose the radiator height and depth
- 2) Choose the required watts or BTU's by multiplying the per section output from the table below
- 3) Check that the overall sections/total length of radiator still fit's the space intended, taking care to allow for bushes and valves.
- 4) Multiply the RRP price per section = Total Price Excluding Delivery.
- 5) You are now ready to place the order over the phone or online or through our National Trading Partners.
- 6) Note - should the chosen radiator be over the maximum factory built size then a joining tool will be required, this is available to purchase on a sale or return basis (price @ £120) *return costs is the customers responsibility.



(*) Length + Bushes (30mm) + Valves (150mm) / (**) Height including legs / (***) All dimensions plus or minus 2mm

RADIATORS 2 ORDER (SPECIFICATIONS PER SECTION)

Model	Height (H) (mm)	Width (L) (mm)	Heat Output Δt 50°C		Heat Output Δt 60°C		Depth of Rad (Incl. legs) (mm)	Skirting To Pipe Centres (mm)	Dry Weight (Kgs)	Water Content (Ltrs)	Max no. Of Factory Built Sections	Primer (Ex VAT)	Colour (Ex VAT)
			Watts	BTUs	Watts	BTUs							
BEL 51	510	76	110	375	140	474	204	108	8.8	1.9	18	55	69.5
BEL 66	660	76	130	444	163	556	204	108	11.8	2.26	15	59	73
BEL 76	760	76	143	488	180	614	204	108	13.8	2.52	15	65	79

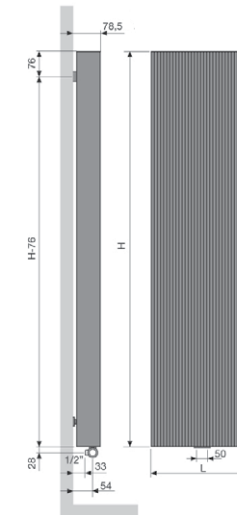
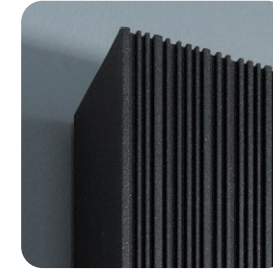
Materials: Cast Iron Guarantee: 10 Years High Output Radiator
Stock Finishes: Finished in Grey Primer Colour Finishes (Pages 96-99)





- CONTENTS
- CURVED RADIATORS
- VALVES
- ELECTRIC ELEMENTS
- COLOUR CHARTS AND FINISHES
- ACCESSORIES
- CONTACT US

At the USA's Bryce National Park, nature has forged the breathtakingly beautiful, deeply grooved towers of rock that moved our designers to create the visually stunning Bryce high output, general purpose radiators. But whereas those original formations are millions of years old, our eco-friendly aluminium Bryce is contemporary in every sense and comes to you in white, textured black and a number of stylish alternative finishes, with an optional towel rail.



KEY: * When using an Angled Central Valve
** When using a Straight Central Valve

Model	Height (H) (mm)	Width (L) (mm)	Heat Output Δt 50°C		Heat Output Δt 60°C		Fuel – Central Heating Electric Dual Fuel	No. Of Tubes	Wall To Front Face (mm)	Pipe Centres (R1) (mm)	Wall To Pipe Centres (mm)	White (Ex VAT)	Colour (Ex VAT)
			Watts	BTUs	Watts	BTUs							
BV 18-40	1800	409	1188	4053	1497	5108	CH	--	78.5	50	33*+ 54**	693	796
BV 18-51	1800	512	1460	4981	1843	6288	CH	--	78.5	50	33*+ 54**	795	914
BV 18-61	1800	615	1727	5892	2180	7438	CH	--	78.5	50	33*+ 54**	935	1075

Materials: Aluminium Guarantee: 10 Years High Output Radiator
Stock Finishes (Page 90): S600 | M300 | M301 | M302 Non-Stock Finishes (Pages 94-95)
Accessories: Optional Towel Rail

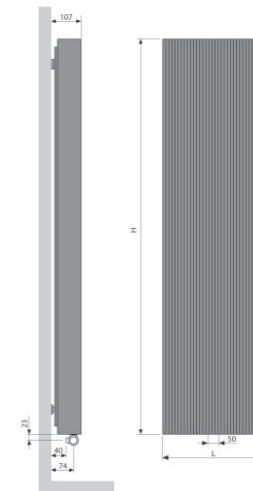
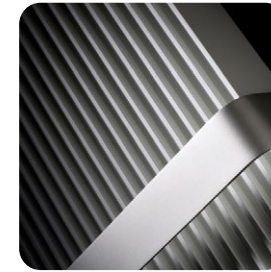
E-mail: sales@radiatorfactory.net – Tel: 0116 260 9257 – www.radiatorfactory.net





- CONTENTS
- CURVED RADIATORS
- VALVES
- ELECTRIC ELEMENTS
- COLOUR CHARTS AND FINISHES
- ACCESSORIES
- CONTACT US

Cutting edge, high output radiator technology ingeniously encased in a striking design which is visually reminiscent of the dramatic rock structures to be found and marvelled at in America's national parks, the Canyon is very definitely in the groove when it comes to sheer eye-pleasing style. This chic, eco-friendly aluminium radiator will draw hot looks even when it's off and is available in a choice of attractive finishes with an optional towel rail.



KEY: * When using an Angled Central Valve
** When using a Straight Central Valve

Model	Height (H) (mm)	Width (L) (mm)	Heat Output Δt 50°C		Heat Output Δt 60°C		Fuel – Central Heating Electric Dual Fuel	No. Of Tubes	Wall To Front Face (mm)	Pipe Centres (R1) (mm)	Wall To Pipe Centres (mm)	White (Ex VAT)	Colour (Ex VAT)
			Watts	BTUs	Watts	BTUs							
CANYON													
CA 18-38	1800	380	1338	4565	1683	5742	CH	--	107	50	40*+ 74**	720	828

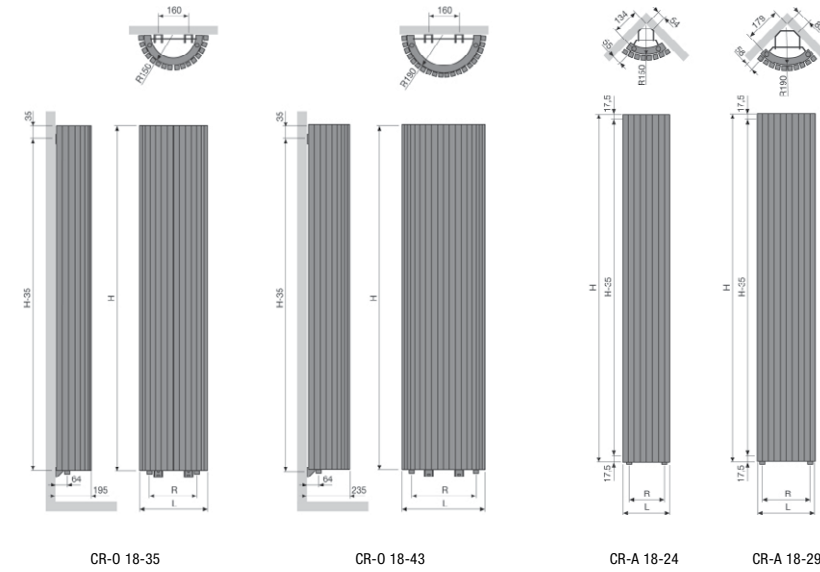
Materials: Aluminium Guarantee: 10 Years High Output Radiator
Stock Finishes (Page 90): S600 | M300 | M301 Non-Stock Finishes (Pages 94-95)
Accessories: Optional Towel Rail





- CONTENTS
- CURVED RADIATORS
- VALVES
- ELECTRIC ELEMENTS
- COLOUR CHARTS AND FINISHES
- ACCESSORIES
- CONTACT US

Standing tall on your wall or efficiently adorning a corner, the Carre Half & Quarter are ingeniously shaped to fit the task of looking and performing beautifully. With long, square tubes creating a 180° half circle for flat walls and a 90° version for corners, these distinctive steel radiators are high in output and appearance. Backed by a 10 year guarantee, available in white or alternative finishes, each model offers two width choices and accessory options which include a towel rail and robe hook.



Model	Height (H) (mm)	Width (L) (mm)	Heat Output Δt 50°C		Heat Output Δt 60°C		Fuel – Central Heating Electric Dual Fuel	No. Of Tubes	Wall To Front Face (mm)	Pipe Centres (R1) (mm)	Wall To Pipe Centres (mm)	White (Ex VAT)	Colour (Ex VAT)
			Watts	BTUs	Watts	BTUs							
CARRE QUARTER													
CR-A 18-24	1800	244	785	2678	984	3357	CH	8	150 + 25	112	55	425	489
CR-A 18-29	1800	298	963	3286	1205	4111	CH	10	190 + 25	171	58	531	611
CARRE HALF													
CR-O 18-35	1800	350	1528	5213	1911	6520	CH	16	195	249	64	783	900
CR-O 18-43	1800	430	1981	6759	2474	8441	CH	20	235	333	64	978	1125

Materials: Steel Guarantee: 10 Years High Output Radiator
 Stock Finishes (Page 90): White 9016 | M300 Non-Stock Finishes (Pages 94-95)
 Accessories: Optional Towel Rail | Robe Hook

E-mail: sales@radiatorfactory.net – Tel: 0116 260 9257 – www.radiatorfactory.net



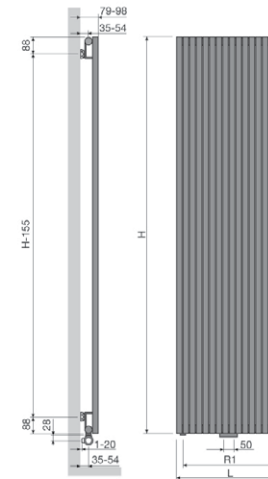


CARRE PLAN | 31



- CONTENTS
- CURVED RADIATORS
- VALVES
- ELECTRIC ELEMENTS
- COLOUR CHARTS AND FINISHES
- ACCESSORIES
- CONTACT US

A geometric triumph of long, lean lines, the Carre stylishly links tall, square tubes to create a perfectly proportioned high output radiator which comes complete with lateral covers. Fitted on its own in home or workplace, or combined with the ingeniously curved Carre Half & Quarter, Carre's chic appearance and sophisticated performance are guaranteed for 10 years. The Carre is available in white and alternative finishes and can be accessorised with optional towel rail and robe hook.



KEY: * When using an Angled Central Valve
** When using a Straight Central Valve or R1 (left and right connections)

Model	Height (H) (mm)	Width (L) (mm)	Heat Output Δt 50°C		Heat Output Δt 60°C		Fuel – Central Heating Electric Dual Fuel	No. Of Tubes	Wall To Front Face (mm)	Pipe Centres (mm)		Wall To Pipe Centres (mm)		White (Ex VAT)	Black (Ex VAT)
			Watts	BTUs	Watts	BTUs				Central	R1	Central	R1		
CP 18-29	1800	295	888	3030	1116	3808	CH	10	79-98	50.0	240	1-20*	35-54**	372	428
CP 18-35	1800	355	1065	3634	1339	4569	CH	12	79-98	50.0	300	1-20*	35-54**	446	513
CP 18-41	1800	415	1243	4241	1563	5333	CH	14	79-98	50.0	360	1-20*	35-54**	521	599
CP 18-47	1800	475	1420	4845	1786	6094	CH	16	79-98	50.0	420	1-20*	35-54**	595	684
CP 18-53	1800	535	1598	5452	2009	6855	CH	18	79-98	50.0	480	1-20*	35-54**	670	771

Materials: Steel Guarantee: 10 Years High Output Radiator
Stock Finishes (Page 90): White 9016 | M300
Accessories: Optional Towel Rail | Robe Hook





The simple Edwardian style of the Chatsworth range has been inspired by the magnificent Chatsworth country house in Derbyshire. Just like its namesake, the Chatsworth exudes understated elegance and style and is admired by all that see it. The Chatsworth is warmly welcoming and all the radiators in the range benefit from a smooth semi-gloss finish.

RADIATORS 2 GO (STOCKED SIZES)

Model	Height (H) (mm)	Width (L) (mm)	Heat Output Δt 50°C		Heat Output Δt 60°C		Fuel – Central Heating Electric	No. Of Sections	Depth of Rad (Incl. legs) (mm)	Pipe Centres (mm)	Skirting to Pipe Centres (mm)	Dry Weight (kgs)	Primer (Ex VAT)	Colour (Ex VAT)
			Watts	BTUs	Watts	BTUs								
4 Columns (357mm height)														
CH4 35-84-14	357	840	602	2054	770	2627	CH	14	178	L+ B + VALVES	90	48	295	421
CH4 35-96-16	357	960	688	2347	880	3002	CH	16	178	L+ B + VALVES	90	55	312	456
CH4 35-108-18	357	1080	774	2640	990	3377	CH	18	178	L+ B + VALVES	90	61	345	507
4 Columns (660mm height)														
CH4 66-60-10	660	600	930	3173	1180	4026	CH	10	178	L+ B + VALVES	90	61	308	458
CH4 66-72-12	660	720	1116	3807	1416	4831	CH	12	178	L+ B + VALVES	90	73	358	538
CH4 66-84-14	660	840	1302	4442	1652	5636	CH	14	178	L+ B + VALVES	90	86	403	613
CH4 66-96-16	660	960	1488	5077	1888	6441	CH	16	178	L+ B + VALVES	90	98	449	689
4 Columns (760mm height)														
CH4 76-60-10	760	600	1080	3684	1370	4674	CH	10	178	L+ B + VALVES	90	68	341	491
CH4 76-72-12	760	720	1296	4421	1644	5609	CH	12	178	L+ B + VALVES	90	82	395	575
CH4 76-84-14	760	840	1512	5158	1918	6544	CH	14	178	L+ B + VALVES	90	95	449	659
CH4 76-96-16	760	960	1728	5895	2192	7479	CH	16	178	L+ B + VALVES	90	109	495	735
6 Columns (660mm height)														
CH6 66-60-10	660	600	1330	4537	1690	5766	CH	10	221	L+ B + VALVES	135	50	399	549
CH6 66-72-12	660	720	1596	5445	2028	6919	CH	12	221	L+ B + VALVES	135	58	462	642
CH6 66-84-14	660	840	1862	6353	2366	8072	CH	14	221	L+ B + VALVES	135	66	520	730

Materials: Cast Iron Guarantee: 10 Years High Output Radiator
 Stock Finishes: Finished in Cream Primer Colour Finishes (Pages 96-99)

SPECIALISTS IN DESIGNER RADIATORS & TOWEL RAILS



CONTENTS

CURVED RADIATORS

VALVES

ELECTRIC ELEMENTS

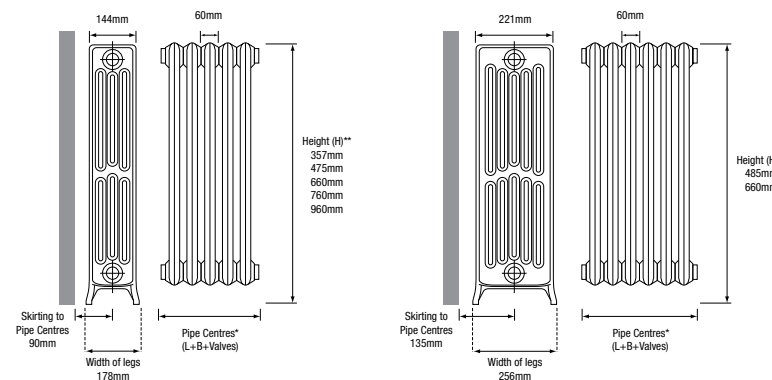
COLOUR CHARTS AND FINISHES

ACCESSORIES

CONTACT US

How To Order:

- 1) Choose the radiator height and depth
- 2) Choose the required watts or BTU's by multiplying the per section output from the table below
- 3) Check that the overall sections/total length of radiator still fit's the space intended, taking care to allow for bushes and valves.
- 4) Multiply the RRP price per section = Total Price Excluding Delivery.
- 5) You are now ready to place the order over the phone or online or through our National Trading Partners.
- 6) Note – should the chosen radiator be over the maximum factory built size then a joining tool will be required, this is available to purchase on a sale or return basis (price @ £120) *return costs is the customers responsibility.



(* Length + Bushes (30mm) + Valves (150mm) / (** Height including legs / (***) All dimensions plus or minus 2mm

RADIATORS 2 ORDER (SPECIFICATIONS PER SECTION)

Model	Height (H) (mm)	Width (L) (mm)	Heat Output Δt 50°C		Heat Output Δt 60°C		Depth of Rad (Incl. legs) (mm)	Skirting To Pipe Centres (mm)	Dry Weight (Kgs)	Water Content (Ltrs)	Max no. Of Factory Built Sections	Primer (Ex VAT)	Colour (Ex VAT)
			Watts	BTUs	Watts	BTUs							
CH4 - 35	357	60	43	147	55	188	178	90	3.4	0.35	20	18	27
CH4 - 47	475	60	65	221	82	280	178	90	4.2	0.51	20	25	35
CH4 - 66	660	60	93	317	118	403	178	90	6.1	0.85	20	28	39
CH4 - 76	760	60	108	368	137	467	178	90	6.8	0.97	20	35	47
CH4 - 96	960	60	139	474	176	600	178	90	7.8	1.1	20	40	54
CH6 - 48	485	60	95	324	121	412	256	135	6.3	0.85	18	31	45
CH6 - 66	660	60	133	453	169	577	256	135	8.3	1.2	18	39	54

Materials: Cast Iron Guarantee: 10 Years High Output Radiator
 Stock Finishes: Finished in Cream Primer Colour Finishes (Pages 96-99)





CONTENTS

CURVED
RADIATORS

VALVES

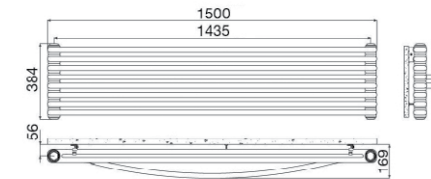
ELECTRIC
ELEMENTS

COLOUR CHARTS
AND FINISHES

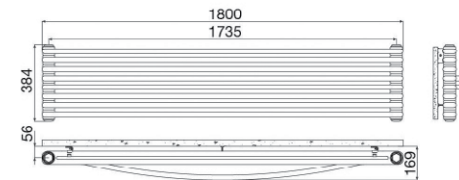
ACCESSORIES

CONTACT US

With two integral bars which curve outwards from the elegant column radiator providing the perfect place to keep towels warm, dry and ready to use, the Cru-Bath adds an attractive new dimension to bathroom radiator design. Stylishly practical and available in two widths, the high output Cru-Bath is a pleasure to behold and to use. Guaranteed for 10 years, it comes in soft touch black and a choice of non-stock finishes.



CRB 38-15



CRB 38-18

Model	Height (H) (mm)	Width (L) (mm)	Heat Output Δt 50°C		Heat Output Δt 60°C		Fuel – Central Heating Electric Dual Fuel	No. Of Tubes	Wall To Front Face (mm)	Pipe Centres (R1) (mm)	Wall To Pipe Centres (mm)	Stock Finishes (Ex VAT)	Non-Stock Finishes (Ex VAT)
			Watts	BTUs	Watts	BTUs							
CRB 38-15	384	1500	824	2811	1038	3542	CH	8	169	1435	56	855	POA
CRB 38-18	384	1800	994	3392	1252	4272	CH	8	169	1735	56	895	POA

Materials: Steel Guarantee: 10 Years High Output Radiator
Stock Finishes (Page 90): Soft Touch Black Non-Stock Finishes (Pages 91-93)

E-mail: sales@radiatorfactory.net – Tel: 0116 260 9257 – www.radiatorfactory.net

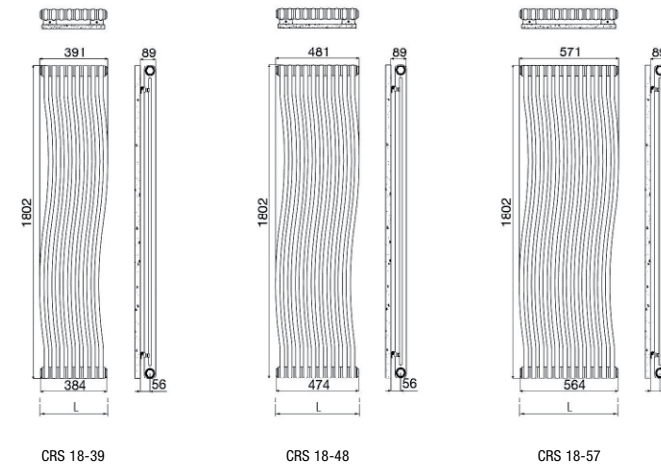




CRU-SLALOM



With distinctively curved lines reminiscent of the graceful path of a skier weaving side to side down a snow covered mountain, the Cru-Slalom looks superb in any space where style is the decisive factor. This steel, high output column radiator comes in a choice of three different widths. With a 10 year guarantee to add even more appeal, the Cru-Slalom weaves its elegance in white, textured black, textured silver, or a number of non-stock finishes.



Model	Height (H) (mm)	Width (L) (mm)	Heat Output Δt 50°C		Heat Output Δt 60°C		Fuel – Central Heating Electric Dual Fuel	No. Of Tubes	Wall To Front Face (mm)	Pipe Centres (R1) (mm)	Wall To Pipe Centres (mm)	Stock Finishes (Ex VAT)	Non-Stock Finishes (Ex VAT)
			Watts	BTUs	Watts	BTUs							
CR 18-39	1802	391	994	3392	1252	4272	CH	8	89	L+VALVES	56	730	POA
CR 18-48	1802	481	1243	4241	1566	5343	CH	10	89	L+VALVES	56	775	POA
CR 18-57	1802	571	1492	5091	1880	6415	CH	12	89	L+VALVES	56	830	POA

Materials: Steel Guarantee: 10 Years High Output Radiator
 Stock Finishes (Page 90): Textured Black | Textured Silver | White 9016 Non-Stock Finishes (Pages 91-93)

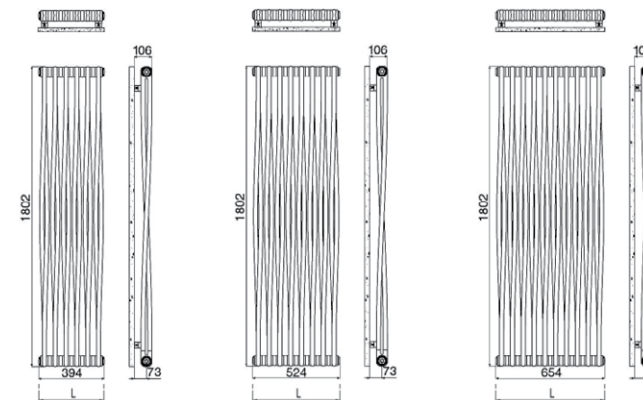
- CONTENTS
- CURVED RADIATORS
- VALVES
- ELECTRIC ELEMENTS
- COLOUR CHARTS AND FINISHES
- ACCESSORIES
- CONTACT US





- CONTENTS
- CURVED RADIATORS
- VALVES
- ELECTRIC ELEMENTS
- COLOUR CHARTS AND FINISHES
- ACCESSORIES
- CONTACT US

The Cru-Twist is featured in this brochure not just here in textured black, but also on the inside front cover in white. But wherever it appears in whatever colour, the way its curvaceous columns curl around one another is a distinguishing factor that arrests the eye and weaves visual magic. The shapely steel Cru-Twist is guaranteed for 10 years and is available in a variety of finishes.



CRT 18-39

CRT 18-52

CRT 18-65

Model	Height (H) (mm)	Width (L) (mm)	Heat Output Δt 50°C		Heat Output Δt 60°C		Fuel – Central Heating Electric Dual Fuel	No. Of Tubes	Wall To Front Face (mm)	Pipe Centres (R1) (mm)	Wall To Pipe Centres (mm)	Stock Finishes (Ex VAT)	Non-Stock Finishes (Ex VAT)
			Watts	BTUs	Watts	BTUs							
CRU-TWIST													
CRT 18-39	1802	394	896	3057	1129	3852	CH	6	106	L+VALVES	73	915	POA
CRT 18-52	1802	524	994	3392	1252	4272	CH	8	106	L+VALVES	73	930	POA
CRT 18-65	1802	654	1195	4077	1506	5138	CH	10	106	L+VALVES	73	945	POA

Materials: Steel Guarantee: 10 Years

Stock Finishes (Page 90): Textured Black | Textured Silver | White 9016 Non-Stock Finishes (Pages 91-93)

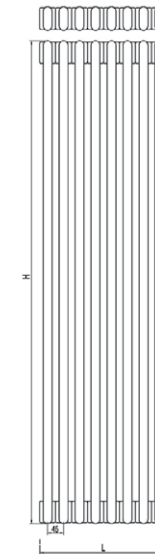
E-mail: sales@radiatorfactory.net – Tel: 0116 260 9257 – www.radiatorfactory.net





- CONTENTS
- CURVED RADIATORS
- VALVES
- ELECTRIC ELEMENTS
- COLOUR CHARTS AND FINISHES
- ACCESSORIES
- CONTACT US

The vertical, twin-tubed columns of the Cru-2 extend virtually from floor to ceiling, giving any room in which you place this high profile, high output radiator a feeling of extra height. And to ensure the lofty Cru-2 will integrate into spaces with restricted available breadth, it comes in three widths. The ruggedly handsome, visually compelling steel Cru-2 is available in either textured black, white or alternative finishes and comes with a 10 year guarantee.



Model	Height (H) (mm)	Width (L) (mm)	Heat Output Δt 50°C		Heat Output Δt 60°C		Fuel – Central Heating Electric Dual Fuel	No. Of Tubes	Wall To Front Face (mm)	Pipe Centres (R1) (mm)	Wall To Pipe Centres (mm)	White (Ex VAT)	Black (Ex VAT)	Non-Stock Finishes (Ex VAT)
			Watts	BTUs	Watts	BTUs								
CR2 18-30	1802	300	746	2545	940	3207	CH	6	90	L+VALVES	58	225	285	POA
CR2 18-39	1802	390	994	3392	1252	4272	CH	8	90	L+VALVES	58	255	320	POA
CR2 18-48	1802	480	1243	4241	1566	5343	CH/E	10	90	L+VALVES	58	290	365	POA

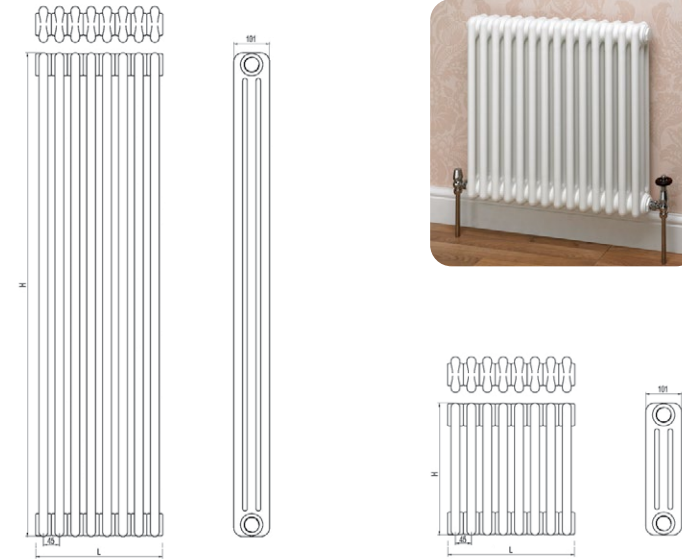
Materials: Steel Guarantee: 10 Years High Output Radiator
 Stock Finishes (Page 90): White 9016 / Textured Black Non-Stock Finishes (Pages 91-93)





- CONTENTS
- CURVED RADIATORS
- VALVES
- ELECTRIC ELEMENTS
- COLOUR CHARTS AND FINISHES
- ACCESSORIES
- CONTACT US

Each graceful section of the Cru-3 comprises a combination of three, round tubes, creating a harmonious structure that commands attention and inspires admiration. This robust, high output column radiator has a confident presence, with a choice of two heights and different widths, as well as bespoke sizes made to order, the Cru-3 usefully delivers a multiplicity of possible applications. Guaranteed for 10 years and presented in choices of textured black, white or flamed copper, the Cru-3 is without doubt a tubular belle.



Model	Height (H) (mm)	Width (L) (mm)	Heat Output Δt 50°C		Heat Output Δt 60°C		Fuel – Central Heating Electric Dual Fuel	No. Of Tubes	Wall To Front Face (mm)	Pipe Centres (R1) (mm)	Wall To Pipe Centres (mm)	White (Ex VAT)	Black (Ex VAT)	Non-Stock Finishes (Ex VAT)
			Watts	BTUs	Watts	BTUs								
CR3 60-48	602	480	606	2068	764	2607	CH/E	10	126	L+VALVES	75	190	235	POA
CR3 60-66	602	660	848	2893	1068	3644	CH/E	14	126	L+VALVES	75	260	325	POA
CR3 60-84	602	840	1090	3719	1373	4684	CH/E	18	126	L+VALVES	75	310	385	POA
CR3 60-10	602	1020	1333	4548	1680	5732	CH/E	22	126	L+VALVES	75	360	450	POA
CR3 18-30	1802	300	1014	3460	1278	4361	CH	6	126	L+VALVES	75	310	385	POA
CR3 18-39	1802	390	1351	4610	1702	5807	CH	8	126	L+VALVES	75	375	465	POA
CR3 18-48	1802	480	1689	5763	2125	7261	CH/E	10	126	L+VALVES	75	430	535	POA

Materials: Steel Guarantee: 10 Years High Output Radiator
 Stock Finishes (Page 90): Textured Black | White 9016 Non-Stock Finishes (Pages 91-93)

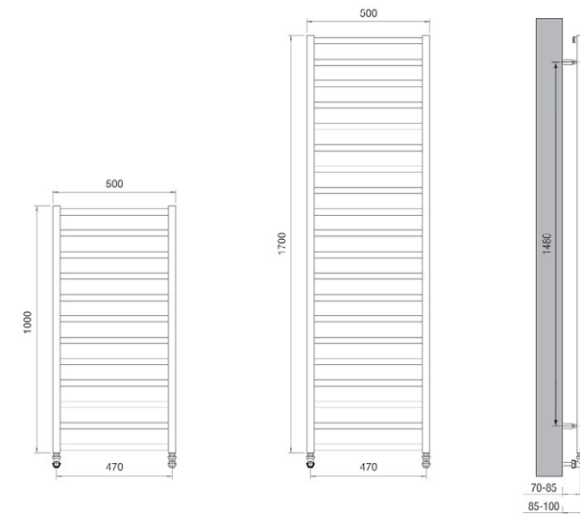
E-mail: sales@radiatorfactory.net – Tel: 0116 260 9257 – www.radiatorfactory.net





- CONTENTS
- CURVED RADIATORS
- VALVES
- ELECTRIC ELEMENTS
- COLOUR CHARTS AND FINISHES
- ACCESSORIES
- CONTACT US

Escada is Portuguese for square-tubed ladder, but you won't find a ladder in the whole of Portugal (or anywhere else for that matter) as beautiful as this towel rail. Simply put, the gleaming stainless steel Escada is stunning. It's not just a pretty face, however - its undeniable beauty is matched by its functionality, thanks to multiple rungs for towel hanging and warming.



Model	Height (H) (mm)	Width (L) (mm)	Heat Output Δt 50°C		Heat Output Δt 60°C		Fuel – Central Heating Electric Dual Fuel	No. Of Tubes	Wall To Front Face (mm)	Pipe Centres (R1) (mm)	Wall To Pipe Centres (mm)	Brushed Stainless (Ex VAT)	Polished Stainless (Ex VAT)
			Watts	BTUs	Watts	BTUs							
ESCADA													
ES 10-50	1000	500	320	1091	405	1383	CH/E/DF	12	85-100	470	70-85	486	584
ES 17-50	1700	500	518	1766	656	2239	CH/E/DF	20	85-100	470	70-85	744	892

Materials: Stainless Steel Guarantee: 25 Years
Stock Finishes: Polished & Brushed Stainless Steel

*Radiator shown without valves

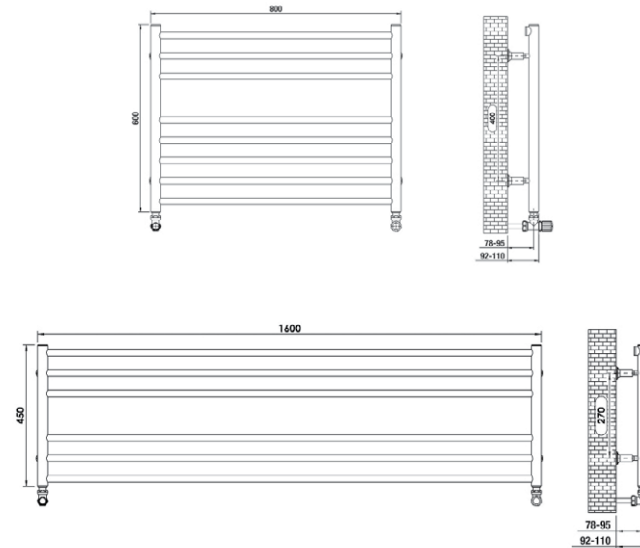




* Radiator shown without valves

- CONTENTS
- CURVED RADIATORS
- VALVES
- ELECTRIC ELEMENTS
- COLOUR CHARTS AND FINISHES
- ACCESSORIES
- CONTACT US

The Lora combines stark modernity with traditional practicality. Its linear construction suspends a series of round, horizontal tubes between two which are larger in circumference, all smooth and flush, with no visible air vents or plugs, enhancing the clean lines. Mounted over the bath or underneath a window, this stylish horizontal radiator will keep towels warm, dry and elegantly displayed. Guaranteed for 25 years, the Lora is finished in polished and brushed stainless steel and offers you a number of height and width options, plus the chance to select eight or six horizontal tubes, making it dimensionally versatile as well as visually beautiful.



Model	Height (H) (mm)	Width (L) (mm)	Heat Output Δt 50°C		Heat Output Δt 60°C		Fuel – Central Heating Electric Dual Fuel	No. Of Tubes	Wall To Front Face (mm)	Pipe Centres (R1) (mm)	Wall To Pipe Centres (mm)	Brushed Stainless (Ex VAT)	Polished Stainless (Ex VAT)
			Watts	BTUs	Watts	BTUs							
LO 60-80	600	800	271	925	341	1164	CH/E/DF	8	ADJ 92-110	768	78-95	243	272
LO 60-10	600	1000	452	1542	570	1945	CH/E/DF	8	ADJ 92-110	968	78-95	290	325
LO 60-12	600	1200	542	1849	683	2330	CH/E/DF	8	ADJ 92-110	1168	78-95	326	365
LO 45-14	450	1400	474	1617	597	2037	CH/E/DF	6	ADJ 92-110	1368	78-95	408	457
LO 45-16	450	1600	542	1849	683	2330	CH/E/DF	6	ADJ 92-110	1568	78-95	458	513

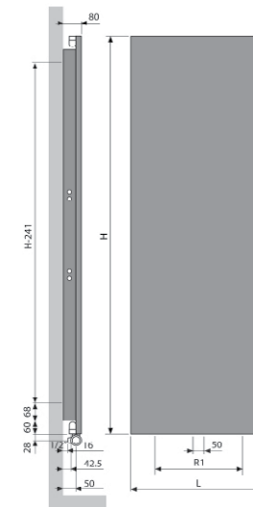
Materials: Stainless Steel Guarantee: 25 Years
Stock Finishes: Polished & Brushed Stainless Steel

E-mail: sales@radiatorfactory.net – Tel: 0116 260 9257 – www.radiatorfactory.net





Designed specifically with minimalists in mind, the Niva is a totally flat-panel radiator with enclosed sides. Unashamedly unadorned, nothing detracts from the blissful simplicity of its appearance and its sparing aesthetics, which are skilfully created in either steel or stainless steel. With a reassuring 10 year guarantee, the Niva comes in three sizes and a choice of white, textured black or brushed stainless steel finishes to make the most of its uncomplicated beauty.



KEY: * When using an Angled Central Valve
 ** When using a Straight Central Valve
 *** When using R1 connections
 (either straight or angled valves)

Model	Height (H) (mm)	Width (L) (mm)	Heat Output Δt 50°C		Heat Output Δt 60°C		Fuel – Central Heating Electric	Wall To Front Face (mm)	Pipe Centres (mm)		Wall To Pipe Centres (mm)		White (Ex VAT)	Colour (Ex VAT)	Brushed Stainless (Ex VAT)
			Watts	BTUs	Watts	BTUs			Central	R1	Central	R1			
NI 18-42	1820	420	765	2610	969	3306	CH	80.0	50.0	200	16*+50**	42.5***	402	462	--
NI 18-52	1820	520	948	3235	1201	4098	CH	80.0	50.0	300	16*+50**	42.5***	454	522	839
NI 18-62	1820	620	1130	3856	1431	4883	CH	80.0	50.0	400	16*+50**	42.5***	472	543	874

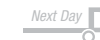
Materials: Steel / Stainless Steel Guarantee: 10 Years

Stock Finishes (Page 90): White 9016 / M300 / Brushed Stainless Steel Non-Stock Finishes (Pages 94-97)

Accessories: Optional Towel Rail

- CONTENTS
- CURVED RADIATORS
- VALVES
- ELECTRIC ELEMENTS
- COLOUR CHARTS AND FINISHES
- ACCESSORIES
- CONTACT US





CONTENTS

CURVED RADIATORS

VALVES

ELECTRIC ELEMENTS

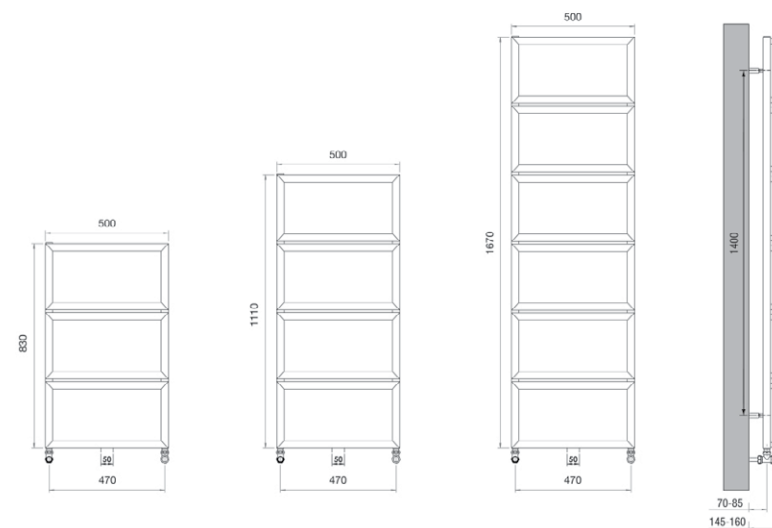
COLOUR CHARTS AND FINISHES

ACCESSORIES

CONTACT US



It is not often that a radiator becomes the focal point of a room, but that is exactly what will happen with the Oblo thanks to a sensational design. The Oblo is truly stunning, encompassing a series of identical frames that boast a sharp and impressive mitre at every single corner to produce a visual effect that attracts and holds the attention of anyone who sees it.



Model	Height (H) (mm)	Width (L) (mm)	Heat Output Δt 50°C		Heat Output Δt 60°C		Fuel – Central Heating Electric Dual Fuel	No. Of Tubes	Wall To Front Face (mm)	Pipe Centres (R1) (mm)	Wall To Pipe Centres (mm)	Brushed (Ex VAT)	Polished (Ex VAT)
			Watts	BTUs	Watts	BTUs							
OBLO													
OB 83-50	830	500	447	1527	566	1936	CH/E/DF	--	145-160	50-470	70-85	548	685
OB 11-50	1110	500	589	2012	746	2551	CH/E/DF	--	145-160	50-470	70-85	684	854
OB 16-50	1670	500	884	3019	1120	3828	CH/E/DF	--	145-160	50-470	70-85	938	1174

Materials: Stainless Steel Guarantee: 25 Years
Stock Finishes: Polished & Brushed Stainless Steel

E-mail: sales@radiatorfactory.net – Tel: 0116 260 9257 – www.radiatorfactory.net



The Onice Electron offers a valid and economical alternative to traditional radiators, not only in cases where there are incentives to using this type of energy but also in other situations.

Aesthetically, the Onice Electron represents one of the most current examples of Italian style in industrial design. Its exclusive soft and dynamic lines render it suitable for any type of space and makes it an ideal decorative complement for the most modern and prestigious environments.



CONTENTS

CURVED
RADIATORS

VALVES

ELECTRIC
ELEMENTS

COLOUR CHARTS
AND FINISHES

ACCESSORIES

CONTACT US

The Onice Electron is made in Italy with an exclusive technology, patented throughout the world. The technical principal consists of the insertion of a special electrical resistance in armoured steel, one for each radiator element, directly in the mould. High pressure aluminium die casting shapes the radiator around the electrical resistance, thus becoming the nucleus and an integral part of the radiator itself. As a consequence, Onice is different from all other electric radiators, **functioning without internal oils or fluids**. This makes it ideal for use with systems that use photovoltaic panels due to this revolutionary technology.

ADVANTAGES:

- A level of absolute safety with no time limit in that with no liquids, there are no risks of leakage, noise or excess pressure in the radiator.
- Onice automatically adjusts the quantity of the electrical resistance to activate according to the amount of heat requested, optimising the energy resources and leading to consistently reduced consumption, up to 20% less than other types.
- Heat is distributed uniformly in every part of the radiator and is therefore very advantageous from the point of view of safety, especially for children who come into contact with the radiator.
- The structure, entirely in aluminium, allows for easy transport and installation, even on non-load bearing walls.
- Onice can be installed in a very short space of time: it is sufficient to fix two brackets as specified in the instructions, use non-vibrating wall plugs and simply mount the radiator using light pressure. A light "click" signals that the radiator has been mounted perfectly, solidly and definitively.



The electronic display, new and ergonomic, was conceived to offer the best intuitive usability, with complete control of the temperature and time of use. In addition, its locking system offers further safety for children and the elderly, protecting them from eventual consequences in error settings.

Model	Height (H) (mm)	Width (L) (mm)	Power (Watts)	Fuel – Electric Only	No. Of Sections Face	Wall To Front (mm)	Weight (Kgs)	White (Ex VAT)
ONICE								
ON 1000W	575	535	1000	E	7*	115	12	400
ON 1600W	575	775	1600	E	10*	115	17	530
ON 2000W	575	935	2000	E	12*	115	21	650

Materials: Aluminium Guarantee: 15 Years Warranty | 2 year warranty for electric components

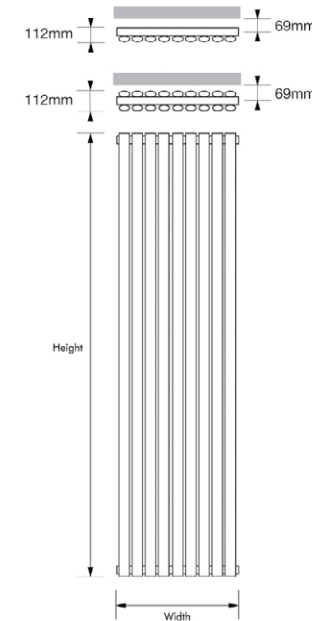
Stock Finishes (Page 90): White 9010 Non-Stock Finishes: No other colour option

KEY: * Sections include end panels



- CONTENTS
- CURVED RADIATORS
- VALVES
- ELECTRIC ELEMENTS
- COLOUR CHARTS AND FINISHES
- ACCESSORIES
- CONTACT US

The Ovali vertical is a prime example of how a functional object can also be a work of art. This beautiful oval-tubed radiator is similar to those in our Arc and Aquarius ranges, but whereas they shimmer in stainless steel glory, the Ovali vertical has been painted to provide a soft appearance that is welcoming and enveloping at the same time.



Model	Height (H) (mm)	Width (L) (mm)	Heat Output Δt 50°C		Heat Output Δt 60°C		Fuel – Central Heating Electric Dual Fuel	No. Of Tubes	Wall To Front Face (mm)	Pipe Centres (R1) (mm)	Wall To Pipe Centres (mm)	White (Ex VAT)	Anthracite (Ex VAT)
			Watts	BTUs	Watts	BTUs							
OVALI V SINGLE													
OVS 18-29	1800	290	559	1909	716	2443	CH	5	112	L+VALVES	69	157	157
OVS 18-34	1800	348	693	2363	887	3025	CH	6	112	L+VALVES	69	188	188
OVS 18-40	1800	406	895	3054	1146	3909	CH	7	112	L+VALVES	69	219	219
OVS 18-46	1800	464	923	3151	1182	4033	CH	8	112	L+VALVES	69	251	251
OVALI V DOUBLE													
OVD 18-29	1800	290	1119	3817	1432	4886	CH	5	112	L+VALVES	69	250	250
OVD 18-34	1800	348	1385	4727	1773	6050	CH	6	112	L+VALVES	69	269	269
OVD 18-40	1800	406	1790	6107	2291	7817	CH	7	112	L+VALVES	69	351	351
OVD 18-46	1800	464	1847	6303	2364	8068	CH	8	112	L+VALVES	69	359	359

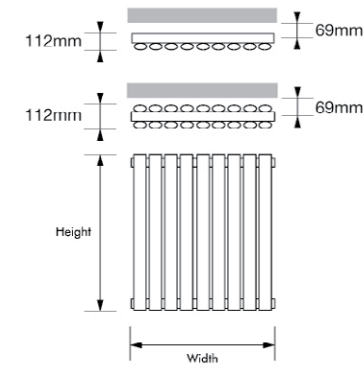
Materials: Mild Steel Guarantee: 5 Years High Output Radiator
 Stock Finishes (Page 90): White 9010 | Anthracite Non-Stock Finishes: No other colour option

E-mail: sales@radiatorfactory.net – Tel: 0116 260 9257 – www.radiatorfactory.net



- CONTENTS
- CURVED RADIATORS
- VALVES
- ELECTRIC ELEMENTS
- COLOUR CHARTS AND FINISHES
- ACCESSORIES
- CONTACT US

The Ovali horizontal, like the Ovali vertical, is inspired by our Arc and Aquarius ranges and boasts the same beautifully sculpted ovoid tubes. The Ovali horizontal's soft, minimalist beauty belies its extraordinary performance - this radiator's high output capability ensures that it will provide as much warmth as you need on even the very coldest of winter days.



Model	Height (H) (mm)	Width (L) (mm)	Heat Output Δt 50°C		Heat Output Δt 60°C		Fuel – Central Heating Electric Dual Fuel	No. Of Tubes	Wall To Front Face (mm)	Pipe Centres (R1) (mm)	Wall To Pipe Centres (mm)	White (Ex VAT)	Anthracite (Ex VAT)
			Watts	BTUs	Watts	BTUs							
OVALI H SINGLE													
OVHS 60-58	600	580	425	1452	536	1830	CH	10	112	L+VALVES	69	147	147
OVHS 60-75	600	754	553	1888	697	2379	CH	13	112	L+VALVES	69	192	192
OVHS 60-98	600	986	786	2469	911	3111	CH	17	112	L+VALVES	69	251	251
OVHS 60-11	600	1160	850	2904	1072	3660	CH	20	112	L+VALVES	69	295	295
OVHS 60-13	600	1334	978	3340	1233	4209	CH	23	112	L+VALVES	69	339	339
OVALI H DOUBLE													
OVHD 60-58	600	580	774	2642	976	3330	CH	10	112	L+VALVES	69	211	211
OVHD 60-75	600	754	1006	3435	1268	4329	CH	13	112	L+VALVES	69	274	274
OVHD 60-98	600	986	1315	4492	1658	5661	CH	17	112	L+VALVES	69	358	358
OVHD 60-11	600	1160	1548	5285	1951	6660	CH	20	112	L+VALVES	69	421	421
OVHD 60-13	600	1334	1780	6078	2244	7659	CH	23	112	L+VALVES	69	484	484

Materials: Mild Steel Guarantee: 5 Years High Output Radiator
 Stock Finishes (Page 90): White 9010 | Anthracite Non-Stock Finishes: No other colour option





*Model shown with TRV feet

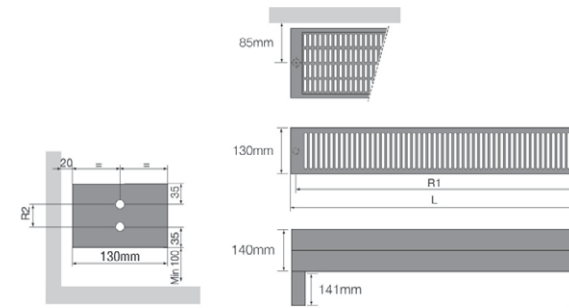
PRIMULA P2 | 59



PRODUCT GUIDE | VOL.2 | 2014

- CONTENTS
- CURVED RADIATORS
- VALVES
- ELECTRIC ELEMENTS
- COLOUR CHARTS AND FINISHES
- ACCESSORIES
- CONTACT US

In areas incorporating large areas of glass, such as conservatories, summer rooms or office buildings, the Primula P2 high output radiator offers a prime heating solution. Purposefully designed with a low profile and yet an assertive character, the starkly modern radiator can be wall mounted or installed free standing. And uniquely, it can also be piped up using the end tapping, or underneath, inside the TRV feet. The Primula P2 comes finished in white or a number of alternative finishes and is guaranteed for 10 years.



KEY: * When using wall brackets

Model	Height (H) (mm)	Width (L) (mm)	Heat Output Δt 50°C		Heat Output Δt 60°C		Fuel – Central Heating Electric Dual Fuel	No. Of Tubes	Wall To Front Face (mm)	Pipe Centres (R1) (mm)	Wall To Pipe Centres (mm)	White (Ex VAT)	Non-Stock Finishes (Ex VAT)
			Watts	BTUs	Watts	BTUs							
PRIMULA P2													
P2 130-60	140	600	530	1808	674	2300	CH	--	150*	554	85	308	354
P2 130-80	140	800	707	2412	898	3064	CH	--	150*	754	85	356	409
P2 130-10	140	1000	884	3016	1123	3832	CH	--	150*	954	85	404	465
P2 130-12	140	1200	1061	3620	1348	4599	CH	--	150*	1154	85	451	519
P2 130-14	140	1400	1238	4224	1572	5364	CH	--	150*	1354	85	499	574
P2 130-16	140	1600	1414	4825	1797	6131	CH	--	150*	1554	85	546	628
P2 130-18	140	1800	1591	5428	2021	6896	CH	--	150*	1754	85	593	682
P2 130-20	140	2000	1768	6032	2246	7663	CH	--	150*	1954	85	641	737

Materials: Steel Guarantee: 10 Years High Output Radiator
 Stock Finishes (Page 90): White 9016 Non-Stock Finishes (Pages 94-95)

E-mail: sales@radiatorfactory.net – Tel: 0116 260 9257 – www.radiatorfactory.net





CONTENTS

CURVED RADIATORS

VALVES

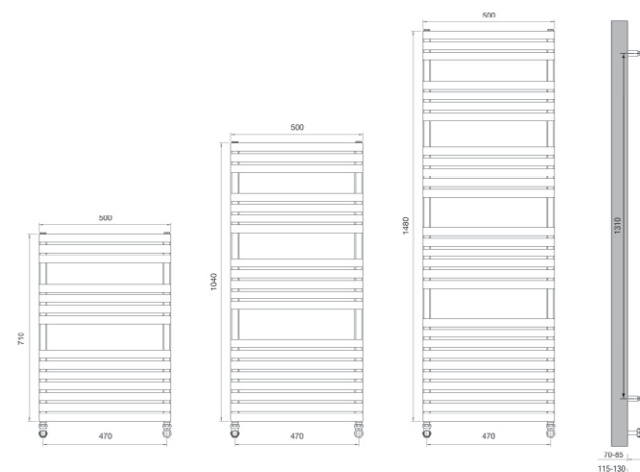
ELECTRIC ELEMENTS

COLOUR CHARTS AND FINISHES

ACCESSORIES

CONTACT US

This handsome towel rail is made of polished stainless steel and will sweep you off your feet with its rugged good looks. However, it is not just the stylish appearance of the square-tubed Quadrado that will make you hot under the collar - its highly effective technical design means it pumps warmth into the room quickly and powerfully.



Model	Height (H) (mm)	Width (L) (mm)	Heat Output Δt 50°C		Heat Output Δt 60°C		Fuel – Central Heating Electric Dual Fuel	No. Of Tubes	Wall To Front Face (mm)	Pipe Centres (R1) (mm)	Wall To Pipe Centres (mm)	Brushed (Ex VAT)	Polished (Ex VAT)
			Watts	BTUs	Watts	BTUs							
QA 71-50	710	500	602	2056	763	2607	CH/E/DF	14	115-130	470	70-85	581	726
QA 10-50	1040	500	860	2937	1090	3724	CH/E/DF	20	115-130	470	70-85	793	992
QA 14-50	1480	500	1204	4112	1526	5214	CH/E/DF	28	115-130	470	70-85	1074	1342

*Materials: Stainless Steel Guarantee: 25 Years High Output Radiator
Stock Finishes: Polished & Brushed Stainless Steel*



* Radiator shown without valves

CONTENTS

CURVED
RADIATORS

VALVES

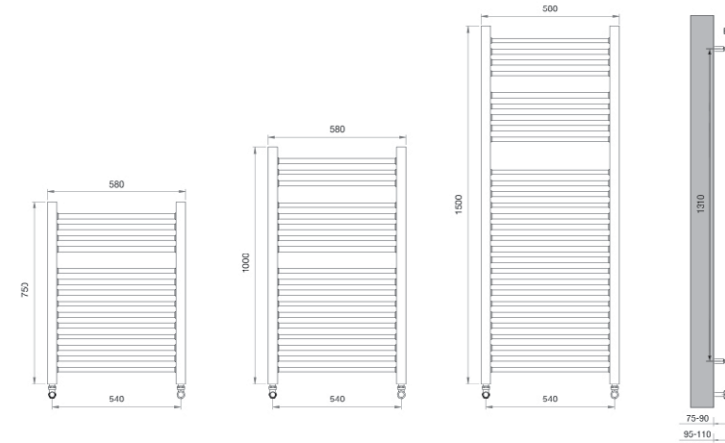
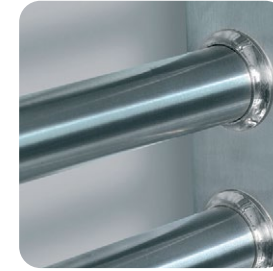
ELECTRIC
ELEMENTS

COLOUR CHARTS
AND FINISHES

ACCESSORIES

CONTACT US

Our designers have achieved the perfect marriage of round and square with this innovative and impressive towel rail. The square vertical profile provides a strong and visually impressive boundary to the sleek and beautiful horizontal round rings, which not only exude comforting heat but are also perfect for slipping your towels over to warm through.



Model	Height (H) (mm)	Width (L) (mm)	Heat Output Δt 50°C		Heat Output Δt 60°C		Fuel – Central Heating Electric Dual Fuel	No. Of Tubes	Wall To Front Face (mm)	Pipe Centres (R1) (mm)	Wall To Pipe Centres (mm)	Brushed Only (Ex VAT)
			Watts	BTUs	Watts	BTUs						
RINGS												
Ri 75-58	750	580	466	1592	590	2018	CH/E/DF	14	95-110	540	75-90	475
Ri 75-68	750	680	503	1718	637	2178	CH/E/DF	14	95-110	640	75-90	501
Ri 10-58	1000	580	596	2036	755	2581	CH/E/DF	18	95-110	540	75-90	585
Ri 10-68	1000	680	628	2145	796	2719	CH/E/DF	18	95-110	640	75-90	621
Ri 15-58	1500	580	966	3299	1224	4183	CH/E/DF	28	95-110	540	75-90	844
Ri 15-68	1500	680	993	3392	1259	4301	CH/E/DF	28	95-110	640	75-90	898

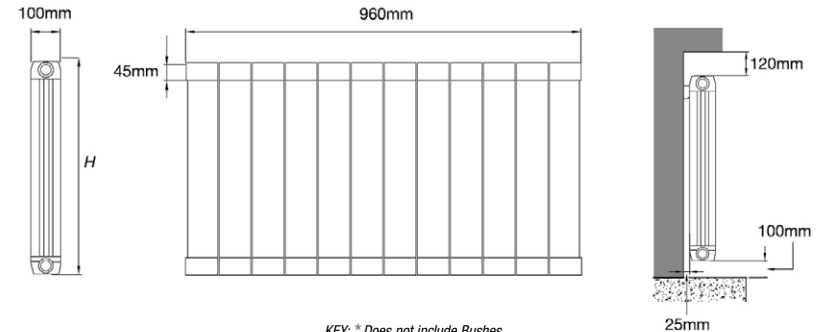
Materials: Stainless Steel Guarantee: 25 Years High Output Radiator
Stock Finishes: Brushed Stainless Steel

E-mail: sales@radiatorfactory.net – Tel: 0116 260 9257 – www.radiatorfactory.net





The Rubino Mini takes style to the max, featuring fluted fins reminiscent of aeronautic or automotive design. From the front, the fins are broad, flat planes gently curving top and bottom. Each end, the narrow fluting is visible, like a stylish air intake. Available in a versatile size range, finished in white and guaranteed for 15 years, the Rubino Mini is ideal anywhere in house or office, but particularly in conservatories and summer rooms.



KEY: * Does not include Bushes
** L + Bushes + Valves

- CONTENTS
- CURVED RADIATORS
- VALVES
- ELECTRIC ELEMENTS
- COLOUR CHARTS AND FINISHES
- ACCESSORIES
- CONTACT US

Model	Height (H) (mm)	Width (L) (mm)	Heat Output Δt 50°C		Heat Output Δt 60°C		Fuel – Central Heating Electric Dual Fuel	No. Of Sections	Wall To Front Face (mm)	Pipe Centres (R1) (mm)	Wall To Pipe Centres (mm)	White Only (Ex VAT)
			Watts	BTUs	Watts	BTUs						
RUBINO MINI												
RUMIN 24-96	242	960*	708	2416	900	3071	CH/E	12	MIN 125MM	**	75	274
RUMIN 24-12	242	1200*	885	3020	1125	3839	CH/E	15	MIN 125MM	**	75	312
RUMIN 24-13	242	1360*	1003	3422	1275	4350	CH/E	17	MIN 125MM	**	75	336
RUMIN 24-16	242	1600*	1180	4026	1500	5118	CH/E	20	MIN 125MM	**	75	374
RUMIN 24-17	242	1760*	1298	4429	1650	5630	CH/E	22	MIN 125MM	**	75	399
RUMIN 39-96	392	960*	1080	3685	1392	4750	CH/E	12	MIN 125MM	**	75	275
RUMIN 39-12	392	1200*	1350	4606	1740	5937	CH/E	15	MIN 125MM	**	75	313
RUMIN 39-13	392	1360*	1530	5220	1972	6728	CH/E	17	MIN 125MM	**	75	338
RUMIN 39-16	392	1600*	1800	6142	2320	7916	CH/E	20	MIN 125MM	**	75	375
RUMIN 39-17	392	1760*	1980	6756	2552	8707	CH/E	22	MIN 125MM	**	75	400

Materials: Aluminium Guarantee: 15 Years High Output Radiator
Stock Finishes (Page 90): White 9010 Non-Stock Finishes: No other colour option





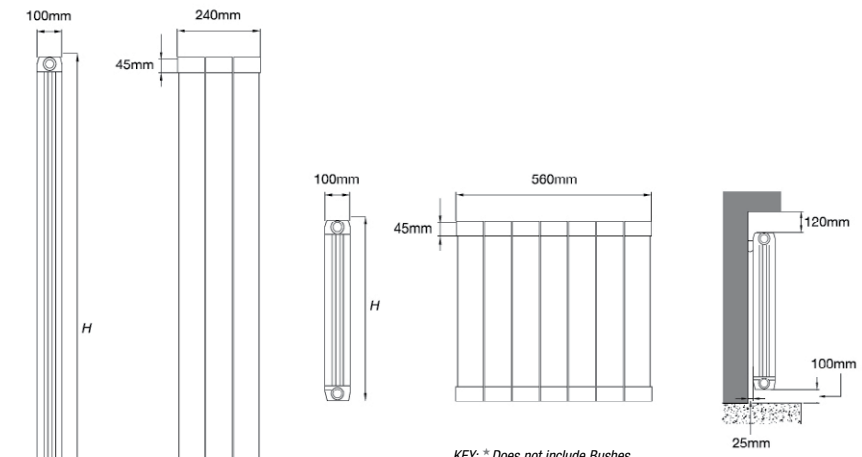
RUBINO MIDI + MAXI | 67



PRODUCT GUIDE | VOL.2 | 2014

- CONTENTS
- CURVED RADIATORS
- VALVES
- ELECTRIC ELEMENTS
- COLOUR CHARTS AND FINISHES
- ACCESSORIES
- CONTACT US

With their head-turning fluted fin design, the high output Rubino Midi & Maxi radiate individuality as well as warmth. Seen face on, the dynamic, streamlined fins rise dramatically, like long, wide freeways. At the sides, slim parallels literally add edge to this design. In a choice of lengths and widths, the aluminium Rubino Midi & Maxi help enhance your home and workplace. Both models are guaranteed for 15 years and finished in white.



KEY: * Does not include Bushes
** L + Bushes + Valves

Model	Height (H) (mm)	Width (L) (mm)	Heat Output Δt 50°C		Heat Output Δt 60°C		Fuel – Central Heating Electric Dual Fuel	No. Of Sections	Wall To Front Face (mm)	Pipe Centres (R1) (mm)	Wall To Pipe Centres (mm)	White Only (Ex VAT)
			Watts	BTUs	Watts	BTUs						
RUBINO MINI												
RUMID 64-40	642	400*	670	2286	860	2934	CH/E	5	MIN 125MM	**	75	131
RUMID 64-56	642	560*	938	3200	1204	4108	CH/E	7	MIN 125MM	**	75	161
RUMID 64-64	642	640*	1072	3658	1376	4695	CH/E	8	MIN 125MM	**	75	177
RUMID 64-80	642	800*	1340	4572	1720	5869	CH/E	10	MIN 125MM	**	75	207
RUMID 64-96	642	960*	1608	5486	2064	7042	CH/E	12	MIN 125MM	**	75	238
RUMID 64-12	642	1200*	2010	6858	2580	8803	CH/E	15	MIN 125MM	**	75	283
RUBINO MAXI												
RUMAX 18-24	1842	240*	891	3040	1140	3890	CH	3	MIN 125MM	**	75	279
RUMAX 18-32	1842	320*	1188	4053	1520	5186	CH	4	MIN 125MM	**	75	354
RUMAX 18-40	1842	400*	1485	5067	1900	6483	CH/E	5	MIN 125MM	**	75	429
RUMAX 18-48	1842	480*	1782	6080	2280	7779	CH/E	6	MIN 125MM	**	75	503

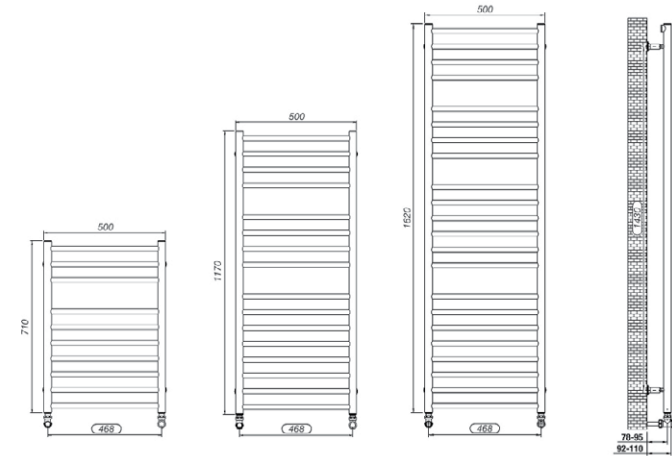
Materials: Aluminium Guarantee: 15 Years High Output Radiator
Stock Finishes (Page 90): White 9010 Non-Stock Finishes: No other colour option

E-mail: sales@radiatorfactory.net – Tel: 0116 260 9257 – www.radiatorfactory.net



- CONTENTS
- CURVED RADIATORS
- VALVES
- ELECTRIC ELEMENTS
- COLOUR CHARTS AND FINISHES
- ACCESSORIES
- CONTACT US

Like all our radiators, the Serra promises as much visual enjoyment as efficient functionality. Beautiful in its ergonomic simplicity, smooth, flush tube tops mean no air vents or plugs are visible. Nothing interrupts the linear flow created by its harmoniously round tubes, optimally spaced to easily accommodate hanging and drying towels. In three heights, the Serra is finished in brushed or polished stainless steel and guaranteed for 25 years.



Model	Height (H) (mm)	Width (L) (mm)	Heat Output Δt 50°C		Heat Output Δt 60°C		Fuel – Central Heating Electric Dual Fuel	No. Of Tubes	Wall To Front Face (mm)	Pipe Centres (R1) (mm)	Wall To Pipe Centres (mm)	Brushed Stainless (Ex VAT)	Polished Stainless (Ex VAT)
			Watts	BTUs	Watts	BTUs							
SERRA													
SER 71-35	710	350	197	672	248	846	CH/E/DF	10	ADJ 92-110	318	78-95	170	191
SER 11-35	1170	350	315	1075	397	1355	CH/E/DF	16	ADJ 92-110	318	78-95	240	269
SER 16-35	1620	350	434	1481	547	1866	CH/E/DF	22	ADJ 92-110	318	78-95	288	323
SER 71-50	710	500	282	962	355	1211	CH/E/DF	10	ADJ 92-110	468	78-95	212	238
SER 11-50	1170	500	450	1535	567	1935	CH/E/DF	16	ADJ 92-110	468	78-95	274	307
SER 16-50	1620	500	620	2114	781	2665	CH/E/DF	22	ADJ 92-110	468	78-95	312	349
SER 71-60	710	600	338	1153	426	1454	CH/E/DF	10	ADJ 92-110	568	78-95	228	255
SER 11-60	1170	600	540	1842	680	2320	CH/E/DF	16	ADJ 92-110	568	78-95	297	333
SER 16-60	1620	600	744	2537	937	3197	CH/E/DF	22	ADJ 92-110	568	78-95	340	381

Materials: Stainless Steel Guarantee: 25 Years

Stock Finishes: Polished & Brushed Stainless Steel

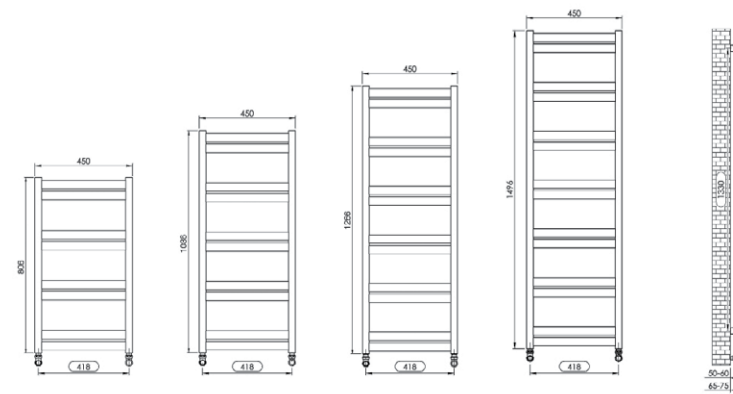
*Radiator shown without valves

SPECIALISTS IN DESIGNER RADIATORS & TOWEL RAILS



- CONTENTS
- CURVED RADIATORS
- VALVES
- ELECTRIC ELEMENTS
- COLOUR CHARTS AND FINISHES
- ACCESSORIES
- CONTACT US

Thurro 2 features bars like broad, flat metallic blades, which descend in equidistant pairs between tall, round tubes. Wide spaces between each graceful duo provide perfect places to hang and dry towels. Tube tops are clean, flush, with no visible air vents or plugs. Available in several heights and widths, this stunning radiator is ideal for all sanitary areas. Choose from polished or brushed stainless steel, guaranteed for 25 years.



Model	Height (H) (mm)	Width (L) (mm)	Heat Output Δt 50°C		Heat Output Δt 60°C		Fuel – Central Heating Electric Dual Fuel	No. Of Tubes	Wall To Front Face (mm)	Pipe Centres (R1) (mm)	Wall To Pipe Centres (mm)	Brushed Stainless (Ex VAT)	Polished Stainless (Ex VAT)
			Watts	BTUs	Watts	BTUs							
THURRO 2													
TH2 80-45	806	450	258	880	325	1109	CH/E/DF	8	ADJ 65-75	418	50-60	305	342
TH2 10-45	1036	450	323	1102	407	1389	CH/E/DF	10	ADJ 65-75	418	50-60	354	397
TH2 12-45	1266	450	387	1320	488	1665	CH/E/DF	12	ADJ 65-75	418	50-60	380	425
TH2 14-45	1496	450	453	1546	571	1948	CH/E/DF	14	ADJ 65-75	418	50-60	396	444
TH2 80-60	806	600	344	1174	433	1478	CH/E/DF	8	ADJ 65-75	568	50-60	336	376
TH2 10-60	1036	600	431	1471	543	1853	CH/E/DF	10	ADJ 65-75	568	50-60	389	436
TH2 12-60	1266	600	517	1764	651	2221	CH/E/DF	12	ADJ 65-75	568	50-60	420	465
TH2 14-60	1496	600	582	1986	733	2501	CH/E/DF	14	ADJ 65-75	568	50-60	436	488

Materials: Stainless Steel Guarantee: 25 Years

Stock Finishes: Polished & Brushed Stainless Steel

E-mail: sales@radiatorfactory.net – Tel: 0116 260 9257 – www.radiatorfactory.net

*Radiator shown without valves



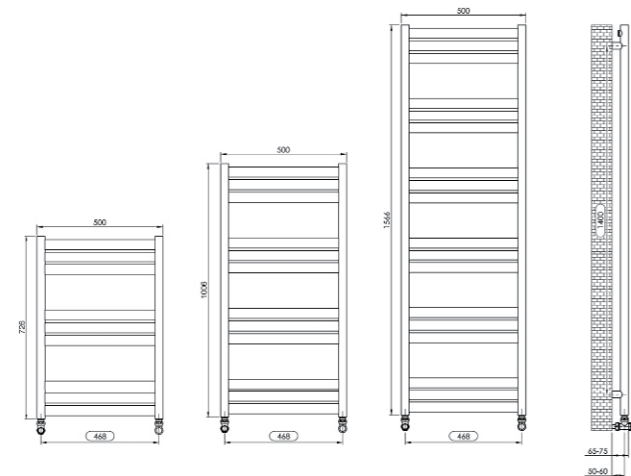


* Radiator shown without valves



- CONTENTS
- CURVED RADIATORS
- VALVES
- ELECTRIC ELEMENTS
- COLOUR CHARTS AND FINISHES
- ACCESSORIES
- CONTACT US

In glistening groups of three, the wide horizontal bars of the Thurro 3 extend gracefully between tall round tubes, creating a powerful aesthetic. Clean, flush tube tops mean no air vents or plugs are evident. A combination of capacious spaces makes it easy to hang and dry towels. The eye-catching Thurro 3 comes in three heights, polished or brushed stainless steel and guaranteed for 25 years.



Model	Height (H) (mm)	Width (L) (mm)	Heat Output Δt 50°C		Heat Output Δt 60°C		Fuel – Central Heating Electric Dual Fuel	No. Of Tubes	Wall To Front Face (mm)	Pipe Centres (R1) (mm)	Wall To Pipe Centres (mm)	Brushed Stainless (Ex VAT)	Polished Stainless (Ex VAT)
			Watts	BTUs	Watts	BTUs							
TH3 72-50	726	500	294	1003	370	1264	CH/E/DF	9	ADJ 65-75	468	50-60	343	384
TH3 10-50	1006	500	401	1368	505	1724	CH/E/DF	12	ADJ 65-75	468	50-60	425	476
TH3 15-50	1566	500	602	2054	759	2588	CH/E/DF	18	ADJ 65-75	468	50-60	509	570

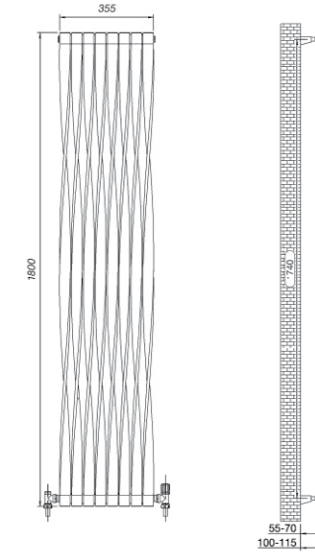
Materials: Stainless Steel Guarantee: 25 Years

Stock Finishes: Polished & Brushed Stainless Steel



- CONTENTS
- CURVED RADIATORS
- VALVES
- ELECTRIC ELEMENTS
- COLOUR CHARTS AND FINISHES
- ACCESSORIES
- CONTACT US

Twirl throws a curve at convention with smooth, flowing lines that twist gracefully through 360° from top to bottom. As much an elegant piece of modern sculpture as an efficient means of delivering heat, the high output Twirl comes in beautiful, bi-metal stainless steel, stylishly combining highly polished and softly brushed surfaces. Choose from 9 size choices – from 5 - 10 twirling tubes – it's anything but a straight up and down radiator.



Model	Height (H) (mm)	Width (L) (mm)	Heat Output Δt 50°C		Heat Output Δt 60°C		Fuel – Central Heating Electric Dual Fuel	No. Of Tubes	Wall To Front Face (mm)	Pipe Centres (R1) (mm)	Wall To Pipe Centres (mm)	Brushed & Polished (Ex VAT)
			Watts	BTUs	Watts	BTUs						
TWIRL												
TW 15-22	1500	220	590	2015	748	2555	CH	5	ADJ 100-115	L+VALVES	55-70	722
TW 15-31	1500	310	826	2821	1047	3577	CH	7	ADJ 100-115	L+VALVES	55-70	948
TW 15-40	1500	400	1062	3627	1346	4599	CH	9	ADJ 100-115	L+VALVES	55-70	1175
TW 18-22	1800	220	698	2384	885	3022	CH	5	ADJ 100-115	L+VALVES	55-70	805
TW 18-26	1800	265	837	2856	1055	3599	CH	6	ADJ 100-115	L+VALVES	55-70	967
TW 18-31	1800	310	977	3337	1238	4231	CH	7	ADJ 100-115	L+VALVES	55-70	1060
TW 18-35	1800	355	1116	3808	1406	4797	CH	8	ADJ 100-115	L+VALVES	55-70	1188
TW 18-40	1800	400	1256	4290	1592	5439	CH	9	ADJ 100-115	L+VALVES	55-70	1315
TW 18-44	1800	445	1395	4760	1758	5998	CH	10	ADJ 100-115	L+VALVES	55-70	1437

Materials: Stainless Steel Guarantee: 25 Years High Output Radiator
 Stock Finishes: Bi-Metal (Combined Polished & Brushed Stainless Steel)

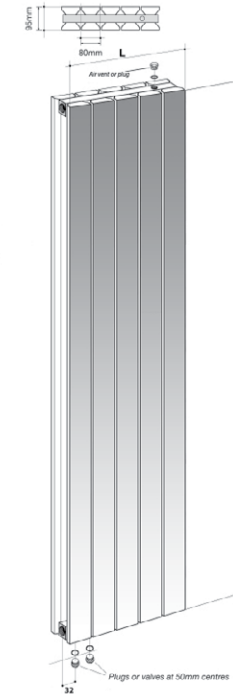
E-mail: sales@radiatorfactory.net – Tel: 0116 260 9257 – www.radiatorfactory.net





- CONTENTS
- CURVED RADIATORS
- VALVES
- ELECTRIC ELEMENTS
- COLOUR CHARTS AND FINISHES
- ACCESSORIES
- CONTACT US

Futuristic in name and nature, the X-Tube is so called due to the unusual shape created when this high output radiator is viewed from above. Here, the distinctively designed tubes, with their long, trapezoid form, create the appearance of a series of 'X' configurations. From the flat front, the tubes are seen as a series of neat, adjacent rectangles. Finished in avante-garde textured white or textured anthracite the exceptional X-tube is guaranteed for 10 years.



KEY: * 50mm when using underside connections
OR you can use bottom left and right
(width of radiator plus valves)

Model	Height (H) (mm)	Width (L) (mm)	Heat Output Δt 50°C		Heat Output Δt 60°C		Fuel – Central Heating Electric Dual Fuel	No. Of Tubes	Wall To Front Face (mm)	Pipe Centres (R1) (mm)	Wall To Pipe Centres (mm)	Textured White (Ex VAT)	Textured Anthracite (Ex VAT)
			Watts	BTUs	Watts	BTUs							
XT 18-24	1833	240	906	3091	1142	3895	CH	3	115	50*	65-70	409	409
XT 18-32	1833	320	1208	4122	1522	5193	CH	4	115	50*	65-70	479	479
XT 18-40	1833	400	1510	5152	1903	6492	CH	5	115	50*	65-70	564	564
XT 18-48	1833	480	1812	6183	2283	7790	CH	6	115	50*	65-70	663	663
XT 18-56	1833	560	2114	7213	2664	9088	CH	7	115	50*	65-70	724	724

Materials: Aluminium Guarantee: 10 Years High Output Radiator
Stock Finishes (Page 90): Textured White | Textured Anthracite Non-Stock Finishes: No other colour option

E-mail: sales@radiatorfactory.net – Tel: 0116 260 9257 – www.radiatorfactory.net





CONTENTS

CURVED
RADIATORS

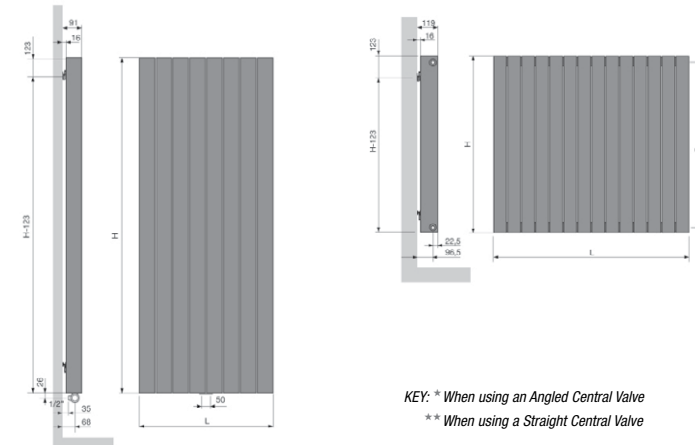
VALVES

ELECTRIC
ELEMENTSCOLOUR CHARTS
AND FINISHES

ACCESSORIES

CONTACT US

With lean, minimal lines, the high output Zaros is unusually available in not just horizontal, but also vertical form. In eco-friendly aluminium and confidently guaranteed for 10 long years, the versatile Zaros offers a wide choice of ten widths to integrate beautifully within your available space. Zaros comes complete with automatic air vents, in white and textured white, and can be usefully accessorised with an optional towel rail and robe hook.



Model	Height (H) (mm)	Width (L) (mm)	Heat Output Δt 50°C		Heat Output Δt 60°C		Fuel – Central Heating Electric Dual Fuel	No. Of Tubes	Wall To Front Face (mm)	Pipe Centres (R1) (mm)	Wall To Pipe Centres (mm)	White Only (Ex VAT)
			Watts	BTUs	Watts	BTUs						
ZAROS MIDI												
ZA 60-45-H100	600	450	666	2272	838	2859	CH	6	119	L+VALVES	96.5	390
ZA 60-60-H100	600	600	889	3033	1117	3811	CH	8	119	L+VALVES	96.5	462
ZA 60-82-H100	600	825	1222	4169	1537	5244	CH	11	119	L+VALVES	96.5	572
ZA 60-10-H100	600	1050	1555	5306	1956	6674	CH	14	119	L+VALVES	96.5	681
ZA 60-12-H100	600	1200	1777	6063	2235	7626	CH	16	119	L+VALVES	96.5	753
ZA 60-15-H100	600	1500	2222	7581	2794	9533	CH	20	119	L+VALVES	96.5	900
ZAROS MAXI												
ZA 18-37-V75	1800	375	1281	4371	1614	5507	CH	5	91	50	35*+ 68**	567
ZA 18-45-V75	1800	450	1518	5179	1919	6548	CH	6	91	50	35*+ 68**	661
ZA 18-52-V75	1800	525	1755	5988	2231	7612	CH	7	91	50	35*+ 68**	757
ZA 18-60-V75	1800	600	1991	6793	2539	8663	CH	8	91	50	35*+ 68**	853

Materials: Aluminium Guarantee: 10 Years High Output Radiator
 Stock Finishes (Page 90): White 9016 Non-Stock Finishes: S600 | Textured White
 Accessories: Optional Towel Rail | Robe Hook





Looking reassuringly efficient, the Round Top Curved confidently complements the cove beneath any bay window. A high-output radiator with real strength of character, its warmly welcoming looks come in semi-gloss white primer and made to order.

Model	Height (H) (mm)	Width (L) (mm)	Heat Output Δt 50°C		Heat Output Δt 60°C		Fuel – Central Heating Electric Dual Fuel	No. Of Tubes	Wall To Front Face (mm)	Pipe Centres (R1) (mm)	Wall To Pipe Centres (mm)	Semi-Gloss White Primer (Ex VAT)
			Watts	BTUs	Watts	BTUs						
RTC 32-20	320	2000	1078	3680	1358	4637	CH	--	78-89	L+VALVES	42-53	480
RTC 32-24	320	2400	1295	4419	1632	5568	CH	--	78-89	L+VALVES	42-53	496
RTC 42-16	420	1600	1085	3703	1367	4666	CH	--	78-89	L+VALVES	42-53	467
RTC 42-18	420	1800	1221	4167	1538	5250	CH	--	78-89	L+VALVES	42-53	470
RTC 42-20	420	2000	1357	4632	1710	5836	CH	--	78-89	L+VALVES	42-53	478
RTC 52-16	520	1600	1297	4426	1634	5577	CH	--	78-89	L+VALVES	42-53	472
RTC 52-18	520	1800	1460	4981	1840	6276	CH	--	78-89	L+VALVES	42-53	480
RTC 52-20	520	2000	1622	5537	2044	6977	CH	--	78-89	L+VALVES	42-53	485
RTC 52-22	520	2200	1785	6093	2249	7677	CH	--	78-89	L+VALVES	42-53	490
RTC 62-16	620	1600	1502	5127	1893	6460	CH	--	78-89	L+VALVES	42-53	477
RTC 62-18	620	1800	1691	5771	2131	7271	CH	--	78-89	L+VALVES	42-53	480
RTC 62-20	620	2000	1879	6414	2368	8082	CH	--	78-89	L+VALVES	42-53	490
RTC 62-22	620	2200	2068	7058	2606	8893	CH	--	78-89	L+VALVES	42-53	507
RTC 72-16	720	1600	1703	5812	2146	7323	CH	--	78-89	L+VALVES	42-53	485
RTC 72-18	720	1800	1917	7542	2415	8240	CH	--	78-89	L+VALVES	42-53	501
RTC 72-20	720	2000	2130	7268	2685	9158	CH	--	78-89	L+VALVES	42-53	528

Materials: Steel Guarantee: 5 Years High Output Radiator
Finished in Semi-Gloss White Primer (made to order) / No other colour option

SPECIALISTS IN DESIGNER RADIATORS & TOWEL RAILS



For the more traditional look the Cru-Curved is pure alcove alchemy. With lean, classic lines, this high output, column radiator is in harmony with any bay window, making heat visually neat. In a helpful variety of heights and widths, white or in a range of colour options to suit all colour pallets! The Cru-Curved is guaranteed for 10 years and available with or without welded feet.

Model	Height (H) (mm)	Width (L) (mm)	Heat Output Δt 50°C		Heat Output Δt 60°C		Fuel – Central Heating Electric Dual Fuel	No. Of Tubes	Wall To Front Face (mm)	Pipe Centres (R1) (mm)	Wall To Pipe Centres (mm)	White (Ex VAT)	Colour (Ex VAT)
			Watts	BTUs	Watts	BTUs							
ROUND TOP CURVED													
CRC2	600	1570	1390	4743	1751	5974	CH	34	90	L+VALVES	58	POA	POA
CRC2	600	1650	1553	5299	1957	6677	CH	36	90	L+VALVES	58	POA	POA
CRC2	600	1750	1640	5596	2066	7049	CH	38	90	L+VALVES	58	POA	POA
CRC2	600	1830	1726	5889	2175	7421	CH	40	90	L+VALVES	58	POA	POA
CRC3	450	1380	1402	4784	1767	6029	CH	30	126	L+VALVES	76	POA	POA
CRC3	450	1560	1588	5418	2001	6827	CH	34	126	L+VALVES	76	POA	POA
CRC3	450	1740	1775	6056	2237	7633	CH	38	126	L+VALVES	76	POA	POA
CRC3	450	1830	1869	6377	2355	8035	CH	40	126	L+VALVES	76	POA	POA
CRC3	600	1380	1817	6200	2289	7810	CH	30	126	L+VALVES	76	POA	POA
CRC3	600	1560	2060	7029	2596	8858	CH	34	126	L+VALVES	76	POA	POA
CRC3	600	1740	2302	7854	2901	9898	CH	38	126	L+VALVES	76	POA	POA
CRC3	600	1830	2423	8267	3053	10417	CH	40	126	L+VALVES	76	POA	POA
CRC3	750	1380	2228	7602	2807	9577	CH	30	126	L+VALVES	76	POA	POA
CRC3	750	1560	2525	8615	3182	10857	CH	34	126	L+VALVES	76	POA	POA
CRC3	750	1740	2822	9629	3556	12133	CH	38	126	L+VALVES	76	POA	POA
CRC3	750	1830	2970	10134	3742	12768	CH	40	126	L+VALVES	76	POA	POA

Materials: Steel Guarantee: 10 Years High Output Radiator

All radiators made to order / Standard colour in White 9016 / Other colour options shown on pages 91-93



* Model shown without welded feet

- CONTENTS
- CURVED RADIATORS
- VALVES
- ELECTRIC ELEMENTS
- COLOUR CHARTS AND FINISHES
- ACCESSORIES
- CONTACT US

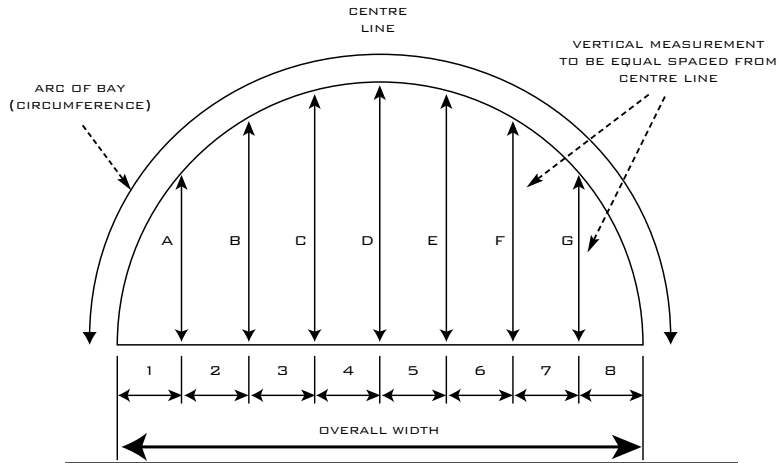


Making your template could not be easier, use the diagram shown below and fill in the required boxes or make a wallpaper one yourself.



To do this:

- Place the wallpaper on the floor on the bay as if fitting a carpet and cut along the skirting board or plasterline.
- Always check after for accuracy once trimmed, then post to us stating the size required.
- We also angle radiators, however we only accept wallpaper templates for this type.
- Templates for angling must state whether the template is taken to the skirting board or plasterline.
- If skirting board then please write the thickness on the template.



Overall Width* Arc of Bay (circumference)*

Height from the top of the skirting board to window sill*

WIDTH

Size 1*	Size 2*	Size 3*	Size 4*	Size 5*	Size 6*	Size 7*	Size 8*
<input type="text"/>	<input type="text"/>	<input type="text"/>	<input type="text"/>	<input type="text"/>	<input type="text"/>	<input type="text"/>	<input type="text"/>

HEIGHT

Size A*	Size B*	Size C*	Size D*	Size E*	Size F*	Size G*	Size H*
<input type="text"/>	<input type="text"/>	<input type="text"/>	<input type="text"/>	<input type="text"/>	<input type="text"/>	<input type="text"/>	<input type="text"/>

Measurements taken from: Skirting Board Plasterline

Measurements taken in: Metric Imperial

Radiator size required: Height* Length*

Name* E-mail*

Delivery Address* Phone Number*

Mobile Number*

Postcode* The fields showing an asterix(*) are required.

E-mail: sales@radiatorfactory.net – Fax: 0116 260 9281 – www.radiatorfactory.net

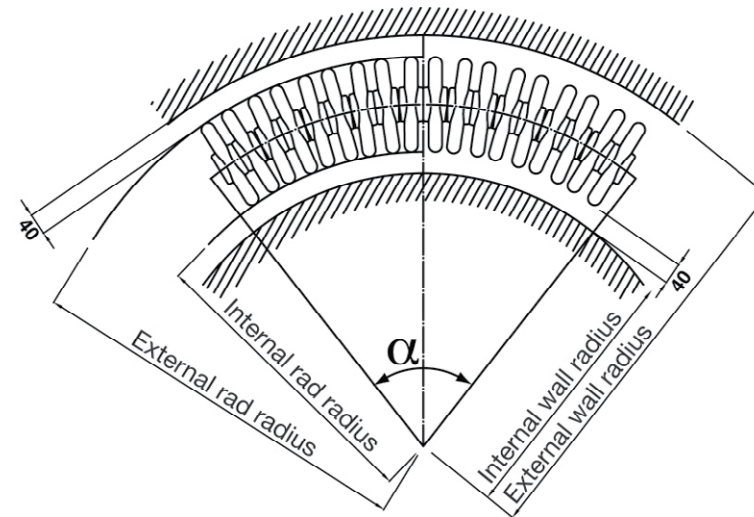


When placing orders for Cru-Curved column radiators please indicate the following:

- One of the following radius of curvature: internal / external radiator radius or internal / external wall radius.
- The height and length of the radiator required.
- The length of the radiator is measured in sections with each section being 45mm.

Construction limits for CRU Column Curved radiators are as follows:

- For Cru-4 the average radius cannot be less than 1.3 metres
- For Cru-2 / 3 the average radius cannot be less than 1 metre
- For Cru-2 / 3 / 4 the "a" maximum angle possible is 180°



MEASUREMENTS TAKEN IN: METRIC IMPERIAL

Internal Radiator Radius External Radiator Radius

External Wall Radius Internal Wall Radius

Radiator height (To include feet if required) No. of Sections required

Wall Mounted OR Welded Feet

(Welded feet add an extra 100mm to overall height of radiator)

Name* E-mail*

Delivery Address* Phone Number*

Mobile Number*

Postcode* The fields showing an asterix(*) are required.

E-mail: sales@radiatorfactory.net – Fax: 0116 260 9281 – www.radiatorfactory.net



PRODUCT GUIDE | VOL.2 | 2014

CONTENTS

CURVED RADIATORS

VALVES

ELECTRIC ELEMENTS

COLOUR CHARTS AND FINISHES

ACCESSORIES

CONTACT US



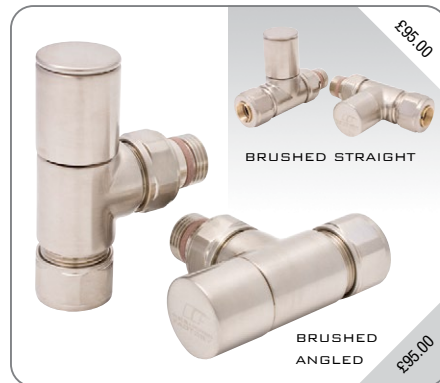
CHARTWELL TRV



CYLINDER TRV



CYLINDER REVERSE MANUAL



SPECIALISTS IN DESIGNER RADIATORS & TOWEL RAILS



THE RADIATOR FACTORY

PRODUCT GUIDE | VOL.2 | 2014

CONTENTS

CURVED RADIATORS

VALVES

ELECTRIC ELEMENTS

COLOUR CHARTS AND FINISHES

ACCESSORIES

CONTACT US

HILTON TRV



PROFILE TRV

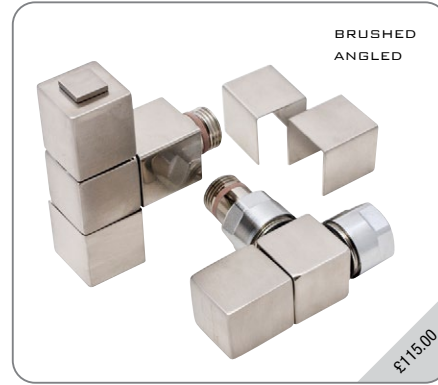


PROFILE MANUAL



E-mail: sales@radiatorfactory.net - Tel: 0116 260 9257 - www.radiatorfactory.net





CENTRAL VALVES TRV



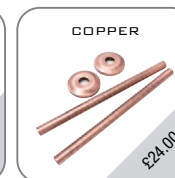
MINIMALIST CORNER VALVES TRV



FITTINGS



PIPE KITS



SPECIALISTS IN DESIGNER RADIATORS & TOWEL RAILS



PIPES FROM THE FLOOR

	Cylinder Manual (Angled)	Cylinder Manual (Straight)	Profile Manual (Angled)	SQ30 Manual (Angled)	SQ30 Manual (Straight)	Charwell TRV	Cylinder TRV (Angled)	Cylinder TRV (Straight)	Hilton TRV	Central (Straight)
ADONIS										
ALU-ZEN										
AQUARIUS H+V										
ARC H+V										
ATLANTIS H+V										
AZTEK										
BELVOIR										
BRYCE										
CANYON										
CARRE QUARTER+HALF										
CARRE PLAN										
CHATSWORTH 4+6										
CRU-BATH										
CRU-SLALOM										
CRU-TWIST										
CRU 2										
CRU 3										
ESCADA										
LORA										
NIVA										
OBLO										
ONICE ELECTRON										
OVALI H+V										
PRIMULA P2										
QUADRADO										
RINGS										
RUBINO MINI+MIDI+MAXI										
SERRA										
THURRO 2										
THURRO 3										
TWIRL										
ZAROS MIDI+MAXI										
X-TUBE										
ROUND TOP CURVED										
CRU-CURVED										

● = Manual Valves ● = Eco-friendly option

E-mail: sales@radiatorfactory.net – Tel: 0116 260 9257 – www.radiatorfactory.net

CONTENTS

CURVED RADIATORS

VALVES

ELECTRIC ELEMENTS

COLOUR CHARTS AND FINISHES

ACCESSORIES

CONTACT US



PIPES FROM THE WALL

	Cylinder Manual (Angled)	Cylinder Manual (Straight)	Profile Manual (Angled)	SC30 Manual (Angled)	Charwell TRV	Cylinder TRV (Angled)	Cylinder TRV (Straight)	Hilton TRV	Profile TRV (Angled)	Central (Angled)	Minimalist Corner (Angled)
ADONIS	•										
ALU-ZEN	•										
AQUARIUS H+V	•	•									
ARC H+V	•	•									
ATLANTIS H+V	•	•									
AZTEK			•								
BELVOIR					•	•		•	•		
BRYCE	•					•				•	
CANYON	•					•				•	
CARRE QUARTER+HALF	•					•				•	
CARRE PLAN	•					•				•	
CHATSWORTH 4+6					•	•		•	•		
CRU-BATH	•	•				•			•		
CRU-SLALOM	•	•				•		•	•		
CRU-TWIST	•	•				•		•	•		
CRU 2	•	•			•	•		•	•		
CRU 3	•	•			•	•		•	•		
ESCADA	•	•	•			•			•	•	
LORA	•	•				•			•		
NIVA	•	•				•			•	•	
OBLO	•	•	•			•			•	•	
ONICE ELECTRON		•				•			•		
OVALI H+V	•	•				•			•	•	
PRIMULA P2	•	•				•			•		
QUADRADO	•	•	•			•			•	•	
RINGS	•	•	•			•			•	•	
RUBINO MINI+MIDI+MAXI	•	•				•			•		
SERRA	•	•				•			•		
THURRO 2	•	•				•			•		
THURRO 3	•	•				•			•		
TWIRL	•	•				•			•		
ZARDS MIDI+MAXI	•	•				•			•	•	
X-TUBE	•	•				•			•		
ROUND TOP CURVED	•	•				•			•		
CRU-CURVED	•	•			•	•		•	•		

● = Manual Valves ● = Eco-friendly option

- CONTENTS
- CURVED RADIATORS
- VALVES
- ELECTRIC ELEMENTS
- COLOUR CHARTS AND FINISHES
- ACCESSORIES
- CONTACT US

MOA THERMOSTATIC HEATING ELEMENTS



- Available in two finishes: Black and Chrome
- User friendly
- Ergonomic casing
- Low energy consumption on stand-by
- 2 hour turbo boost
- ABS casing with on/off switch

Model	Watts	Finish	RRP (Ex VAT)
MOA			
MOA-B-300	300	Black	130
MOA-C-300	300	Chrome	130
MOA-B-400	400	Black	130
MOA-C-400	400	Chrome	130
MOA-B-600	600	Black	130
MOA-C-600	600	Chrome	130
(Two hour boost)			

MEG THERMOSTATIC HEATING ELEMENTS



- Available in two finishes: Black and Chrome
- User friendly
- Ergonomic casing
- Regulation 30°C - 60°C
- LED's display 5-step temperature setting
- Buttons (switch ON/OFF, manual temperature setting)

Model	Watts	Finish	RRP (Ex VAT)
MEG			
MEG-B-300	300	Black	100
MEG-C-300	300	Chrome	100
MEG-B-400	400	Black	100
MEG-C-400	400	Chrome	100
MEG-B-600	600	Black	100
MEG-C-600	600	Chrome	100



HE TURBO HORIZONTAL THERMOSTATIC HEATING ELEMENTS



Model	Watts	Finish	RRP (Ex VAT)
HE TURBO			
HET-B-300	300	Black	120
HET-W-300	300	White	120
HET-B-600	600	Black	125
HET-W-600	600	White	125
HET-B-900	900	Black	130
HET-W-900	900	White	130
HET-B-1200	1200	Black	135
HET-W-1200	1200	White	135
HET-B-1500	1500	Black	140
HET-W-1500	1500	White	140
HET-B-2000	2000	Black	145
HET-W-2000	2000	White	145

(Three hour boost)



The HE Turbo is a choice of element for the Cru-2, Cru-3 and Rubino range of radiators.

ADVANTAGES:

- Energy efficient (Environmentally friendly) – You can save electric energy thanks to smooth temperature regulation. By using the additional turbo function, you can minimise the energy consumption required i.e. to dry a towel
- Continuous water temperature control – you can set the temperature you require from 10 °C - 65 °C
- Electronic regulator – The heaters are equipped with an electronic regulator that allows smooth temperature control of water in the radiator (within a range of 0-65° C).
- Turbo function – The HE model is also equipped with a Turbo function (activated by pushing the button), which runs the heater at full for a period of 1, 2 or 3 hours. After a set period of time, the heater returns to the temperature set on the button.

SPECIALISTS IN DESIGNER RADIATORS & TOWEL RAILS

MINIMALIST THERMOSTATIC HEATING ELEMENTS



Model	Watts	Finish	RRP (Ex VAT)
MINIMALIST			
MIN-B-400	400	Brushed	110
MIN-C-400	400	Chrome	110
MIN-B-600	600	Brushed	120
MIN-C-600	600	Chrome	120

- Available in two finishes:
Brushed Matt and Chrome Plated
- 1.5m White Flex Cable
- 12.5mm Rod Diameter
- Cap Length : 95mm
- Cap Diameter : 32mm
- 70°C Thermostat
- 127°C Thermal Fuse

SIMPLE ELEMENTS



Model	Watts	Cap Finish (White + Chrome)	RRP (Ex VAT)
SIMPLE ELEMENT			
SIM-150	150	W+C	48
SIM-300	300	W+C	50
SIM-400	400	W+C	52
SIM-600	600	W+C	56

- White and Chrome end cups included
- 1.5m White Flex Cable
- 12.5mm Rod Diameter
- 70°C Thermostat
- 127°C Thermal Fuse
- Stainless Steel AISI304 Rod

ELECTRIC ACCESSORIES



All our electric only radiators are supplied with a 3 Bar Safety Valve.



All our dual fuel towel rails are supplied with a Tee Piece – available in chrome or brushed.

E-mail: sales@radiatorfactory.net – Tel: 0116 260 9257 – www.radiatorfactory.net

CONTENTS

CURVED RADIATORS

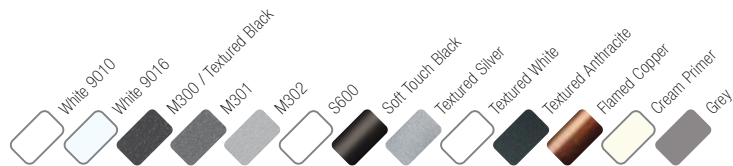
VALVES

ELECTRIC ELEMENTS

COLOUR CHARTS AND FINISHES

ACCESSORIES

CONTACT US



ADDNIS		•													
ALU-ZEN			•		•										
AQUARIUS	--	--	--	--	--	--	--	--	--	--	--	--	--	--	--
ARC	--	--	--	--	--	--	--	--	--	--	--	--	--	--	--
ATLANTIS	--	--	--	--	--	--	--	--	--	--	--	--	--	--	--
AZTEK	--	--	--	--	--	--	--	--	--	--	--	--	--	--	--
BELVOIR															•
BRYCE			•	•	•		•								
CANYON			•	•			•								
CARRE HALF/QUARTER		•	•												
CARRE		•	•												
CHATSWORTH 4+6														•	
CRU-BATH								•							
CRU-SLALOM		•	•						•						
CRU-TWIST		•	•						•						
CRU 2		•	•												
CRU 3		•	•											•	
ESCADADA	--	--	--	--	--	--	--	--	--	--	--	--	--	--	--
LORA	--	--	--	--	--	--	--	--	--	--	--	--	--	--	--
NIVA		•	•												
OBLO	--	--	--	--	--	--	--	--	--	--	--	--	--	--	--
ONICE ELECTRON	•														
OVALI H+V		•												•	
PRIMULA P ²		•													
QUADRADO	--	--	--	--	--	--	--	--	--	--	--	--	--	--	--
RINGS	--	--	--	--	--	--	--	--	--	--	--	--	--	--	--
RUBINO MINI	•														
RUBINO MIDI+MAXI	•														
SERRA	--	--	--	--	--	--	--	--	--	--	--	--	--	--	--
THURRO 2	--	--	--	--	--	--	--	--	--	--	--	--	--	--	--
THURRO 3	--	--	--	--	--	--	--	--	--	--	--	--	--	--	--
TWIRL	--	--	--	--	--	--	--	--	--	--	--	--	--	--	--
X-TUBE															•
ZAROS MIDI+MAXI		•													

• = The Radiator Factory stock colours
 -- = No colours available as these are stainless steel products

PLEASE NOTE - The colours shown above are for our stocked colour ranges - other colours are available to order.

SPECIALISTS IN DESIGNER RADIATORS & TOWEL RAILS

CONTENTS

CURVED RADIATORS

VALVES

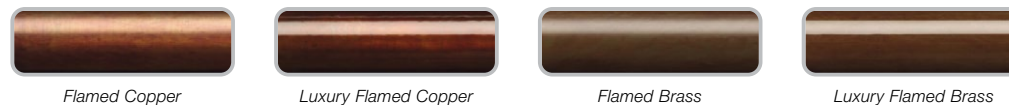
ELECTRIC ELEMENTS

COLOUR CHARTS AND FINISHES

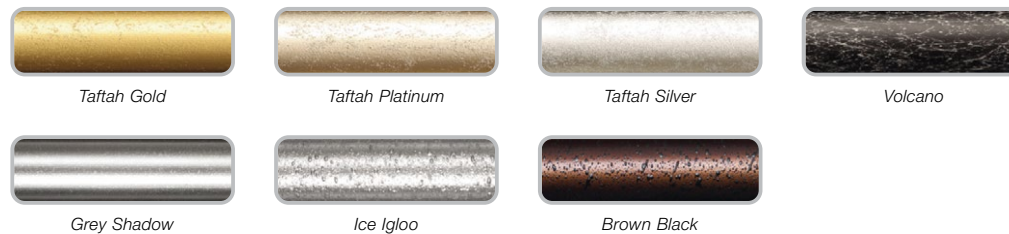
ACCESSORIES

CONTACT US

MICHELANGELO



LEONARDO



GALILEO



SOFT TOUCH



E-mail: sales@radiatorfactory.net - Tel: 0116 260 9257 - www.radiatorfactory.net



SPECIAL COLOURS



CLASSIC COLOURS



STANDARD COLOUR



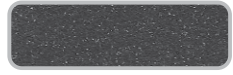
- CONTENTS
- CURVED RADIATORS
- VALVES
- ELECTRIC ELEMENTS
- COLOUR CHARTS AND FINISHES
- ACCESSORIES
- CONTACT US

CHROME

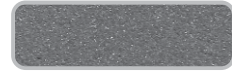


Chrome

METALLIC COLOURS



Black January
M300



Anthracite January
M301



Aluminium Grey January
M302



Brown January
M304



Grey White January
M303

NATURAL COLOURS



Mist White
N500



Mist Grey
N501



Sand Light
N502



Sand
N503



Platinum Grey
N504



Dust Grey
N505



Warm Grey
N506



Grey-Brown
N507

- [CONTENTS](#)
- [CURVED RADIATORS](#)
- [VALVES](#)
- [ELECTRIC ELEMENTS](#)
- [COLOUR CHARTS AND FINISHES](#)
- [ACCESSORIES](#)
- [CONTACT US](#)

RAL COLOURS



Golden Yellow
RAL 1004



Oyster White
RAL 1013



Light Ivory
RAL 1015



Pastel Orange
RAL 2003



Carmine Red
RAL 3002



Ruby Red
RAL 3003



Ultramarine Blue
RAL 5002



Silver Grey
RAL 7001



Iron Grey
RAL 7011



Anthracite Grey
RAL 7016



Black Grey
RAL 7021



Stone Grey
RAL 7030



Light Grey
RAL 7035



Chocolate Brown
RAL 8017



Cream
RAL 9001



Grey White
RAL 9002



Signal White
RAL 9003



Signal Black
RAL 9005



White Aluminium
RAL 9006



Grey Aluminium
RAL 9007

STANDARD COLOUR



White
RAL 9010



Traffic White
RAL 9016

PLEASE NOTE - Due to the limitations of the printing process, the colours shown throughout our brochure are not 100% accurate representations. For this reason all our colour charts should be used for illustrative purposes only.

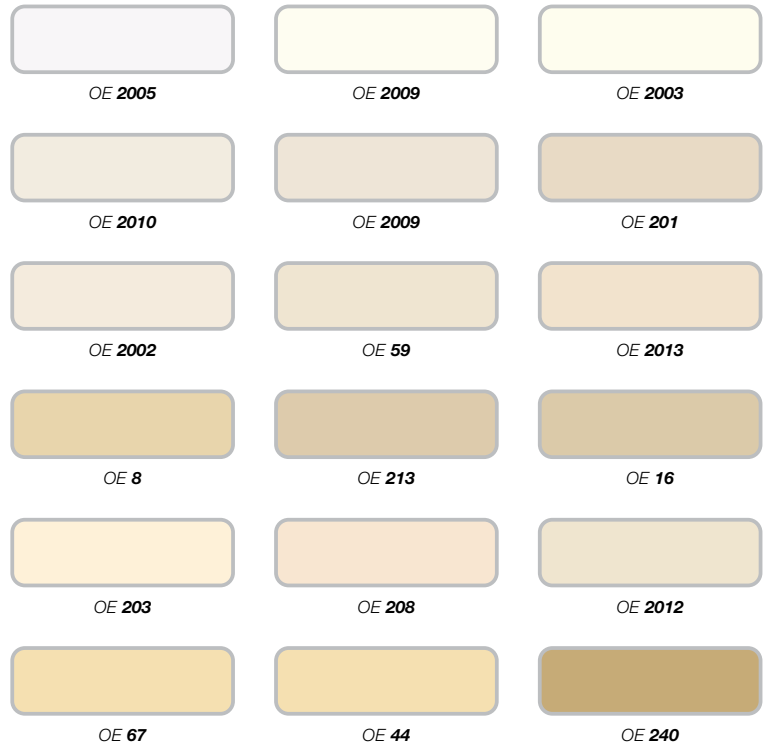
E-mail: sales@radiatorfactory.net - Tel: 0116 260 9257 - www.radiatorfactory.net



METALLIC & STOCKED COLOURS



OLD ENGLISH



- [CONTENTS](#)
- [CURVED RADIATORS](#)
- [VALVES](#)
- [ELECTRIC ELEMENTS](#)
- [COLOUR CHARTS AND FINISHES](#)
- [ACCESSORIES](#)
- [CONTACT US](#)

PLEASE NOTE - Due to the limitations of the printing process, the colours shown throughout our brochure are not 100% accurate representations. For this reason all our colour charts should be used for illustrative purposes only.



OLD ENGLISH



PLEASE NOTE - Due to the limitations of the printing process, the colours shown throughout our brochure are not 100% accurate representations. For this reason all our colour charts should be used for illustrative purposes only.

- CONTENTS
- CURVED RADIATORS
- VALVES
- ELECTRIC ELEMENTS
- COLOUR CHARTS AND FINISHES
- ACCESSORIES
- CONTACT US





ADDNIS TOWEL RAIL
(CHROME)



ZARDS TOWEL RAIL
(CHROME)



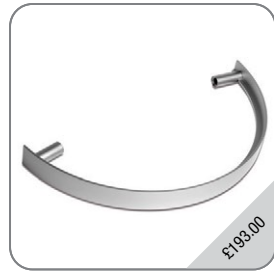
ALU-ZEN TOWEL RAIL
(BRUSHED ALUMINIUM)



BRYDE TOWEL RAIL
(TRANSPARENT GLASS)



CANYON TOWEL RAIL
(BRUSHED ALUMINIUM)



CARRE HALF TOWEL RAIL
(BRUSHED ALUMINIUM)



CARRE QUARTER TOWEL RAIL
(BRUSHED ALUMINIUM)



CARRE ROBE HOOK
(CHROME)



CARRE TOWEL RAIL
(CHROME)



NIVA TOWEL RAIL
(CHROME)



ROBE HOOK WITH GROOVE
(CHROME)



ROBE HOOK WITH O RING
(CHROME)

SPECIALISTS IN DESIGNER RADIATORS & TOWEL RAILS



| PRODUCT GUIDE |
VOL.2 | 2014

CONTENTS

CURVED RADIATORS

VALVES

ELECTRIC ELEMENTS

COLOUR CHARTS AND FINISHES

ACCESSORIES

CONTACT US






AUTO AIR VENT
£12.00



DESIGNER AIRVENT
(CHROME)
£20.00

NOTES:

THREE SIMPLE WAYS TO BUY:

-  Visit The Radiator Factory Showroom, see the product and take away.
-  Click and deliver – buy online or over the telephone and have the product delivered.
-  Buy through our National Merchant Partners and collect from your nearest branch.

PLEASE NOTE – All products shown throughout our brochure are supplied without valves unless stated otherwise. The information included in this brochure is not binding. We reserve the right to make any modifications at any point where deemed necessary to improve the product and will not be held responsible in the event of any error.

E-mail: sales@radiatorfactory.net – Tel: 0116 260 9257 – www.radiatorfactory.net

CONTENTS

CURVED
RADIATORS

VALVES

ELECTRIC
ELEMENTS

COLOUR CHARTS
AND FINISHES

ACCESSORIES

CONTACT US

IMPORTANT INFORMATION

Copyright – All rights reserved. No part of this publication may be reproduced, stored in a retrieval system or transmitted in any form or by any means – electronic, mechanical, photocopying, recording or otherwise – without the prior written permission of the Copyright owner.

PLEASE NOTE – All products shown throughout our brochure are supplied without valves unless stated otherwise. The information included in this brochure is not binding. We reserve the right to make any modifications at any point where deemed necessary to improve the product and will not be held responsible in the event of any error.



THE RADIATOR
FACTORY

Unit 74 The Burrows • East Goscote • Leicestershire • LE7 3XA

Tel: 0116 260 9257 **Fax:** 0116 260 9281

E-mail: sales@radiatorfactory.net www.radiatorfactory.net

SPECIALISTS IN DESIGNER RADIATORS & TOWEL RAILS

